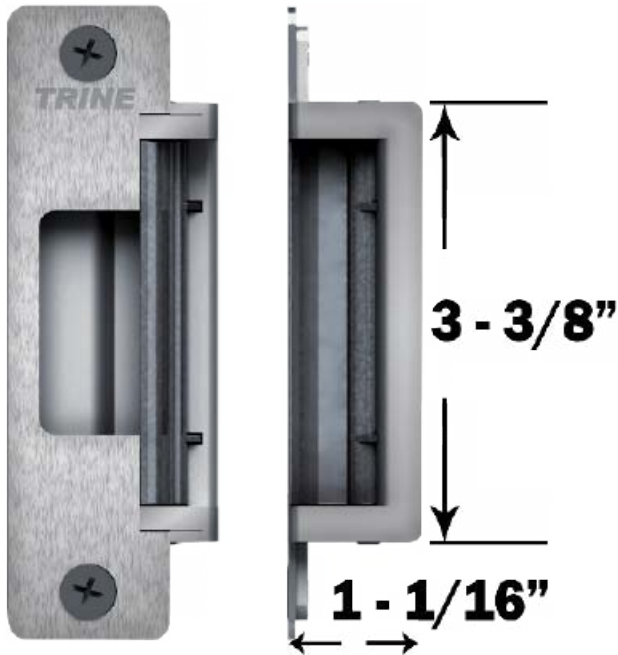


THE FLEXIBLE STRIKE

The 4200

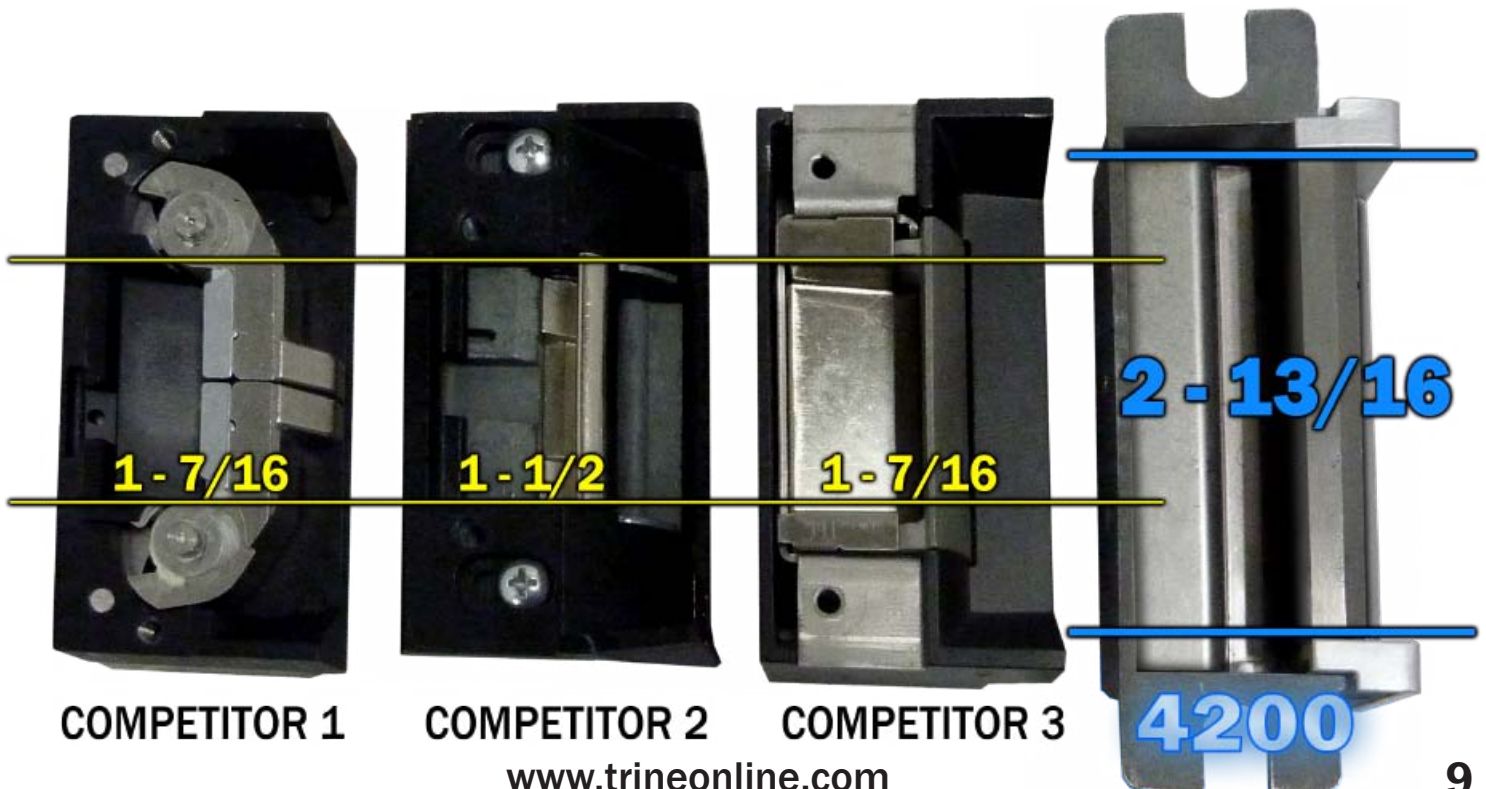
4200 Series



Key Features:

- Use with cylindrical locksets & dead latches in aluminum, metal, and wood frames. The 4200 **solves** problems auxillary latch "pins" found on Adams Rite® locks.
- Tall Cavity **solves** door sag problems. Tallest latch in its class.
- 1 - 1/16" shallow backset **solves** frame depth Problems
- 4 faceplates included
- 12 & 24DC, 12-24 AC
- 1 Trim Skirt Included
- **Removeable Fascia:** Change colors in the field to match your frame.
- **Grade 1 Strike:** 1,500+ lbs. of Holding Force

FLEXIBLE CAVITY



COMPETITOR 1

COMPETITOR 2

COMPETITOR 3

4200