

The Outdoor Electric Strike Solutions

EN Series

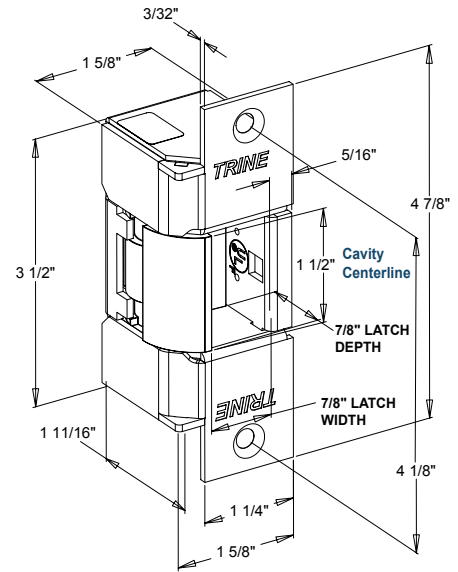


EN Series

EN400



- Use with Cylindrical and Mortise Locks.
- Perfect for exterior doors and gates.
- Latch Shim Kit provided for horizontal cavity adjustment on the EN400.
- Field reversible handing – remember to pick a specific hand when ordering to save time.



400-32D

(Satin Stainless Steel – BHMA630)

The following finishes are:

- **400-US3** (Bright Brass – BHMA605)
- **400-US4** (Satin Brass – BHMA606)
- **400-US10** (Satin Bronze – BHMA612)
- **400-US10B** (Dark Bronze – BHMA613)
- **400-32** (Polished Stainless – BHMA629)

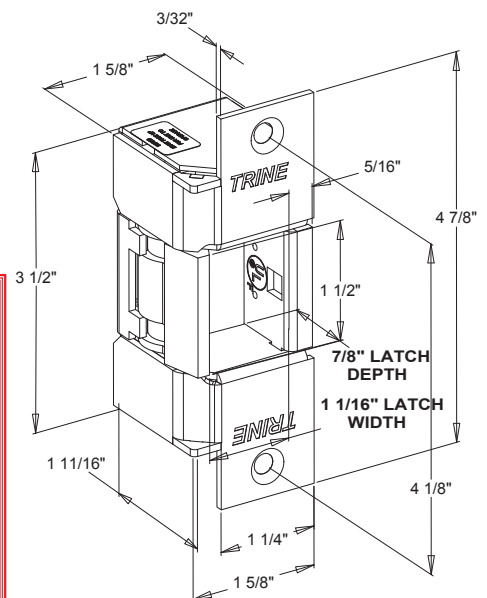
400-Gatebox

(Steel Gatebox, unfinished)

EN400RP



- Use with rim panic devices
- Perfect for exterior doors and gates. Use the EN400RP with Item # EN400-GATEBOX and securely mount the strike anywhere on the frame.
- Field reversible handing – remember to pick a specific hand when ordering to save time.
- The Outdoor Rim Panic Solution



400RP-32D

(Satin Stainless Steel – BHMA630)

The following finishes are:

- **400RP-US3** (Bright Brass – BHMA605)
- **400RP-US4** (Satin Brass – BHMA606)
- **400RP-US10** (Satin Bronze – BHMA612)
- **400RP-US10B** (Dark Bronze – BHMA613)
- **400RP-32** (Polished Stainless – BHMA629)

400-Gatebox

(Steel Gatebox, unfinished)