

The Outdoor Electric Strike Solutions

EN Series



EN Series

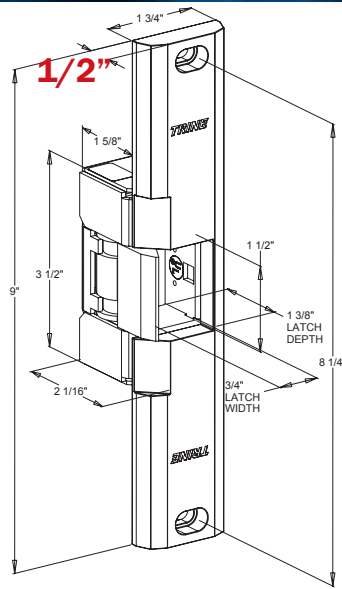


EN850 – GREAT FOR OUTDOOR GATES

For new or replacement installations in wood or metal single door jambs. Use with surface mounted rim exit devices with up to 1" throw. **1/2" thick face plate.**

(Not UL 10C Listed)

Works with Rim Panic Exit Devices.



850-32D
(Satin Stainless Steel – BHMA630)

The following finishes are:

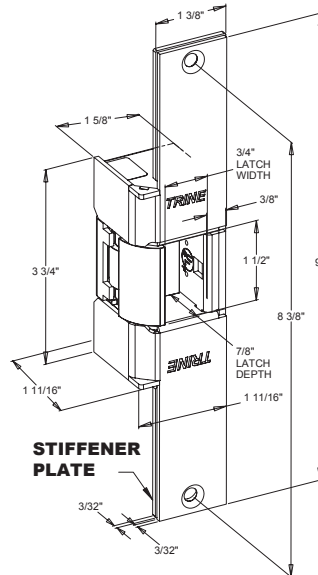
- **850-US3**
(Bright Brass – BHMA605)
- **850-US4**
(Satin Brass – BHMA606)
- **850-US10**
(Satin Bronze – BHMA612)
- **850-US10B**
(Dark Bronze – BHMA613)
- **850-32**
(Polished Stainless – BHMA629)



EN950 – FITS FOLGER ADAMS® 310-2 CUTOUT

For new or replacement installations in metal or wood jambs. Use with mortise exit devices, mortise locks without dead bolts and cylindrical locksets with up to 7/8" throw. Based on 1/8" door gap.

Latch Shim Kit provided for horizontal cavity adjustment.



950-32D
(Satin Stainless Steel – BHMA630)

The following finishes are:

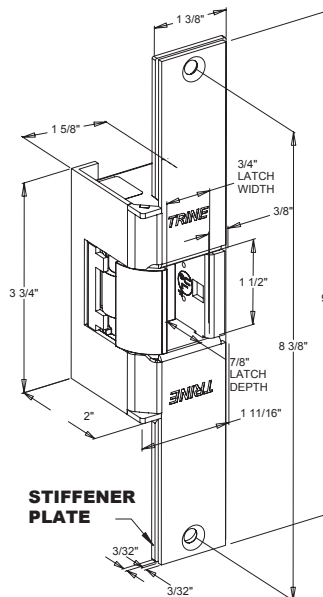
- **950-US3**
(Bright Brass – BHMA605)
- **950-US4**
(Satin Brass – BHMA606)
- **950-US10**
(Satin Bronze – BHMA612)
- **950-US10B**
(Dark Bronze – BHMA613)
- **950-32**
(Polished Stainless – BHMA629)



EN960 – FITS FOLGER ADAMS® 310-2 3/4" CUTOUT

For new or replacement installations in metal or wood jambs. Use with mortise exit devices, mortise locks without dead bolts and cylindrical locksets with up to 7/8" throw. Based on 1/8" door gap.

Latch Shim Kit provided for horizontal cavity adjustment.



960-32D
(Satin Stainless Steel – BHMA630)

The following finishes are:

- **960-US3**
(Bright Brass – BHMA605)
- **960-US4**
(Satin Brass – BHMA606)
- **960-US10**
(Satin Bronze – BHMA612)
- **960-US10B**
(Dark Bronze – BHMA613)
- **960-32**
(Polished Stainless – BHMA629)