

THE SMALLEST ELECTRIC STRIKE IN THE WORLD

THE 3000 SERIES



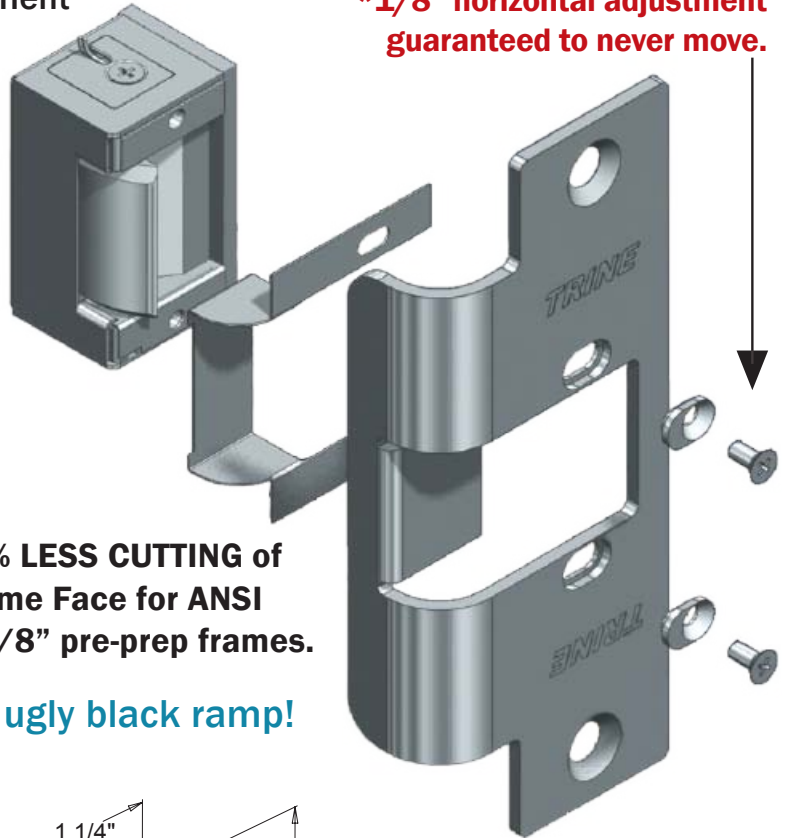
3000 Series

478

Adjustable ANSI Faceplate

For new or replacement installation in wood, metal or aluminum frames. Use with cylindrical locksets having up to 5/8" throw, based on 1/8" door gap.

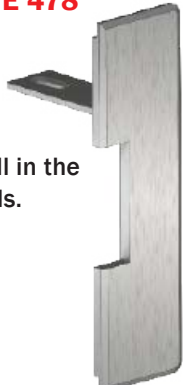
***1/8" horizontal adjustment guaranteed to never move.**



478-CCFP

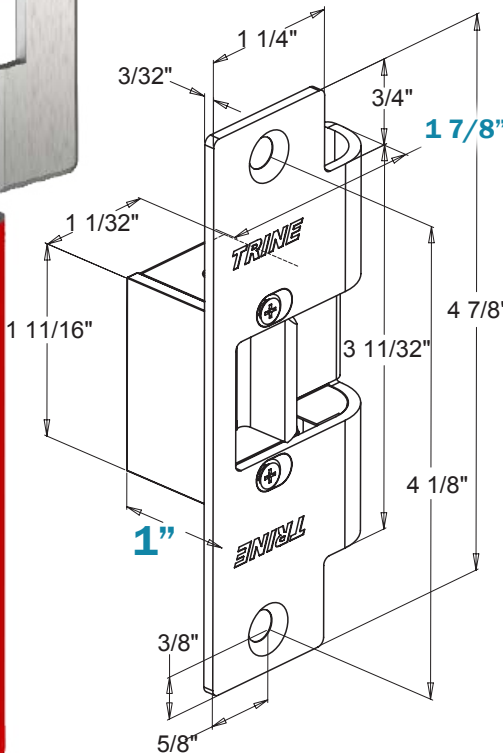
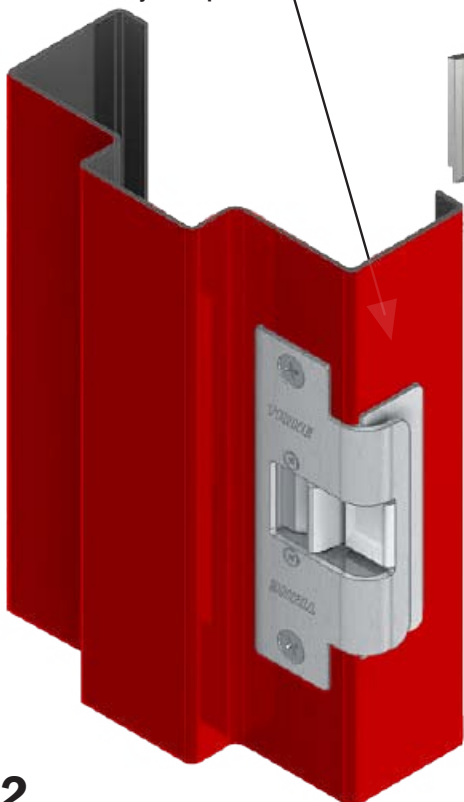
NOW INCLUDED WITH THE 478 FACEPLATE!
Competitor Cutout Filler Plate

Stainless plate designed to fill in the hole left by competitor models.



60% LESS CUTTING of Frame Face for ANSI 4 7/8" pre-prep frames.

No ugly black ramp!



- 478-32D**
(Satin Stainless Steel – BHMA630)
- 478-32**
(Polished Stainless Steel – BHMA629)
- 478-US10B**
(Dark Bronze – BHMA613)
- 478-US3**
(Bright Brass – BHMA605)
- 478-US4**
(Satin Brass – BHMA606)

RD (Radiused Corners)

Match with any 3000 Mechanism:
3012, 3024, 30LC, 30RS

See page 38 for all frame prep details.