

THE SMALLEST ELECTRIC STRIKE IN THE WORLD

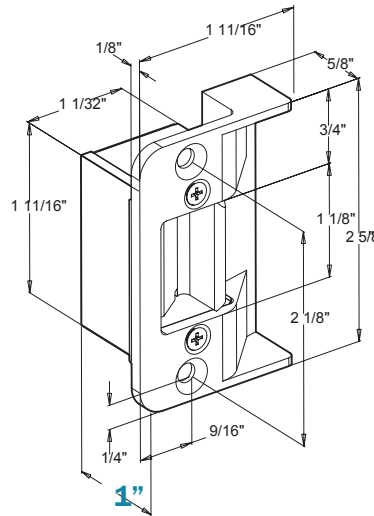
THE 3000 SERIES



258 Faceplate

80% less frame cutting when compared to typical 4 7/8" electric strike installations.

For new or replacement installations in aluminum frames. Use with 4510, 4710 & 4750 Adams Rite® dead latches. Replaces 4502 strike plate with slight modification.



258-26D
(Satin Chrome - BHMA651)
258-US10B
(Dark Bronze - BHMA613)

Match with any 3000 Mechanism:
3012, 3024, 30LC, 30RS

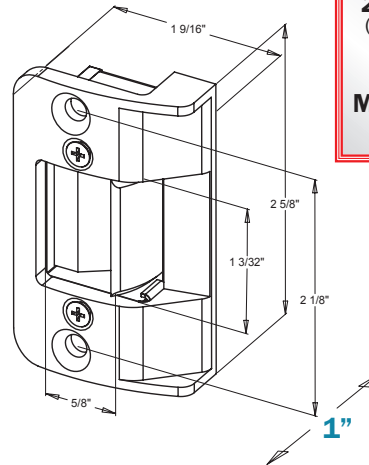
3000 Series



258RD Radiused Faceplate

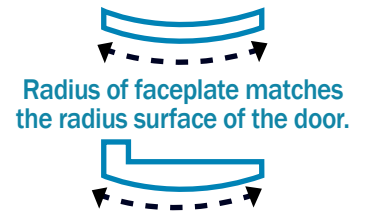
80% less door cutting when compared to typical 4 7/8" electric strike installations.

For new or replacement installations in aluminum doors. Use with 4510, 4710 & 4750 Adams Rite® dead latches. Replaces 4502 strike plate with slight modification.



258RD-26D
(Satin Chrome - BHMA651)
258RD-US10B
(Dark Bronze - BHMA613)

Match with any 3000 Mechanism:
3012, 3024, 30LC, 30RS



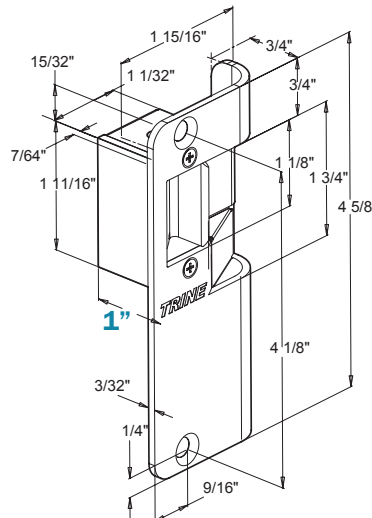
458 Faceplate

80% LESS FRAME CUTTING.

Fills the frame preparation of Adams Rite® MS Locks without relocating tabs for 6 7/8" electric strikes. For new or replacement installations in aluminum frames. Replaces Adams Rite® 4730/4501 strike plate with slight frame modification.



RO-Right Handed Strike Shown



458-32D
(Satin Stainless Steel - BHMA630)
458-US10B
(Dark Bronze - BHMA613)

Match with any 3000 Mechanism:
3012, 3024, 30LC, 30RS

****Offset Cavity****
****Must Specify Handing****