

**STOP BUYING LARGER
POWER SUPPLIES**

**START BUYING LOWER
CURRENT
DRAW STRIKES**



INTRODUCING THE 4850-PoE & 4850-LCD
BOTH UNITS OFFER THE LOWEST CURRENT
DRAW AMONG SURFACE MOUNTED
ELECTRIC STRIKES.

START 2012 WITH A POWERFUL
RESOLUTION...

SWITCH TO TRINE AND INSTALL ONE TODAY.

What will you do with lower current draw

- + Reduce your power supply Size to save money. *Why buy a 4 Amp. supply when 2 Amp. will do the job?*
- + Add more devices to your system.
- + Reduce the number of installations that require a separate power supply for door hardware, *i.e. PoE systems and automatic door operators.*

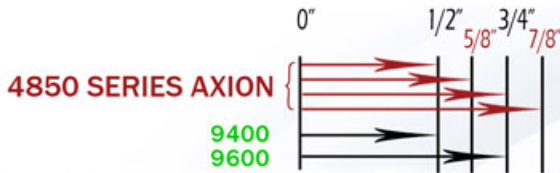
TRINE®	4850-PoE	.260 A	12DC	3.12 W
TRINE®	4850-LCD	.135 A	24DC	3.24 W
OTHER SURFACE MOUNTED STRIKES START AT...		.450 A	12DC	5.40 W
		.250 A	24DC	6.00 W

4 SIZES -- 1 BOX
THE COMPETITION CAN'T
MATCH THIS FLEXIBILITY

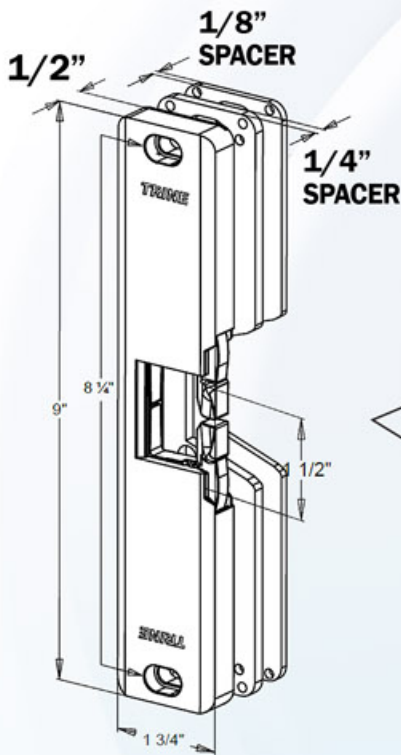


4850-PoE & 4850-LCD -- Low Current Draw

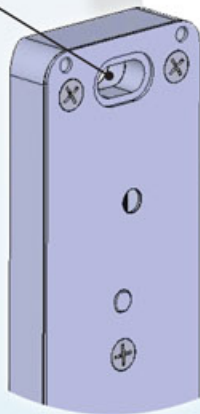
TOTAL THICKNESS COMPARISON



The Axion 4850 provides 4 sizes right out of the box!



Clearance for a 7/16 dia. head of a blind threaded insert with a #1/4-20 thread for aluminum frame applications.



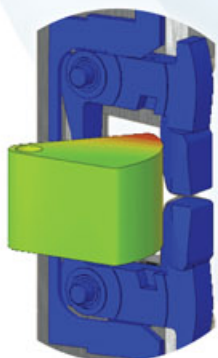
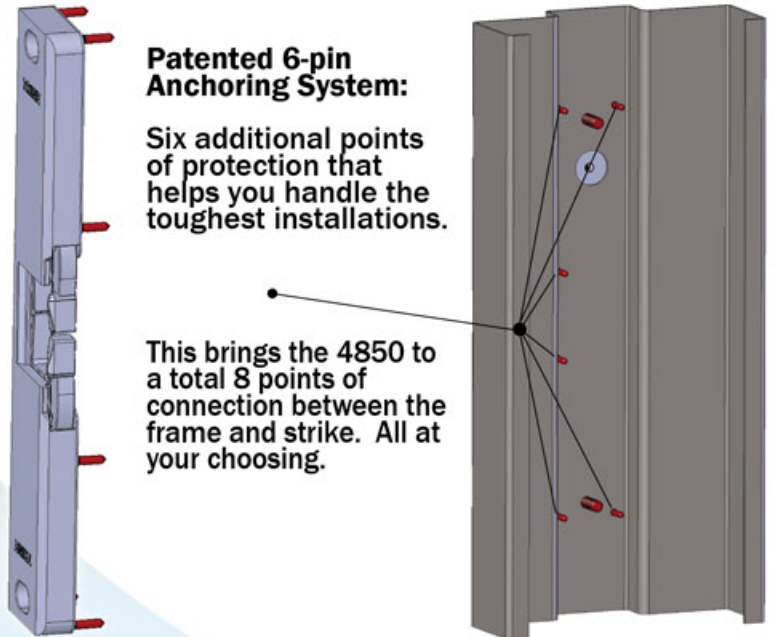
FEATURES:

- ✦ ONLY .260 mA draw at 12DC
.135 mA draw at 24DC
- ✦ NO CUTTING OF THE FRAME
- ✦ Allows up to a 1" latch throw for maximum flexibility.
- ✦ BHMA Grade 1 Electric Strike

Patented 6-pin Anchoring System:

Six additional points of protection that helps you handle the toughest installations.

This brings the 4850 to a total 8 points of connection between the frame and strike. All at your choosing.



Patented One Piece Locking Mechanism
A simple and more durable model of strike providing the highest level of performance.

How to Order; (for 24DC model replace POE with LCD)

Finishes:

- 4850-POE-32D (Satin Stainless Steel – BHMA630)

The following finishes are:

- 4850-POE-US3 (Bright Brass – BHMA605)
- 4850-POE-US4 (Satin Brass – BHMA606)
- 4850-POE-US10 (Satin Bronze – BHMA612)
- 4850-POE-US10B (Dark Bronze – BHMA640)
- 4850-POE-32 (Polished Stainless Steel – BHMA629)