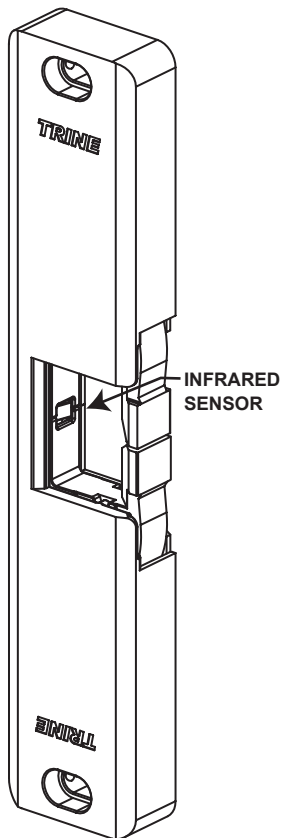


# 4850LB/4800FLB

## SPECIFICATION AND INSTRUCTION SHEET



### APPLICATION:

- Remote central station notification
- Local alarm monitoring
- Triggering video surveillance and recording systems
- Active relay for trap door systems
- For Indoor applications ONLY.

### SENSOR WIRE COLOR CODE

#### POWER LEADS:

- Red - Positive
- Black - Negative

#### RELAY LEADS:

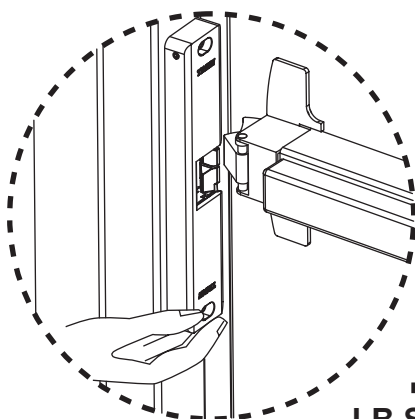
- Blue - Common
- Yellow - Normally Open (NO)
- White - Normally Closed (NC)

### TECHNICAL SPECIFICATIONS:

- SHARP® Infrared optical sensor
- Normally Open and Normally Closed contact terminals
- Single pole, double throw, Form "C" relay, rated at 1 Amp at 24 VAC or 24 VDC.
- Sensor Power - 12 through 30 VDC (ONLY)

### FEATURES:

- Non-Mechanical operation
- Sensor is concealed within the unit
- Sensor does not require any adjustment
- Ignores ambient light, detecting radiant Infrared reflections off the pullman latch
- Increase life and decrease in maintenance due to electronic versus mechanical operation



### PREINSTALLATION CONSIDERATION:

When Mounting the 4800FLB, the pullman latch must be positioned as close as possible to the vertical center of the latch cavity. Having the latch on center will ensure that the sensor will have enough surface to detect.

You can use the 1/8" and 1/4" spacer (included, 1/4" is for 4850LB only) to move the 4850LB/4800FLB closer to the panic bar.

VOLTAGE	QUIESCENT CURRENT DRAW	TRIGGER CURRENT DRAW
12VDC	13mA	23mA
24VDC	20mA	35mA
30VDC	22mA	39mA

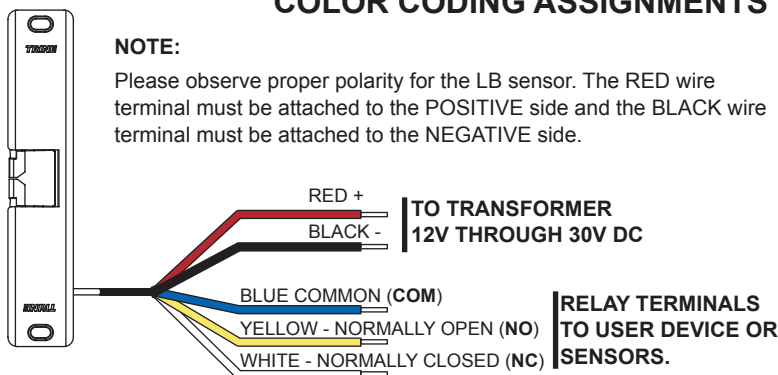


Spacer Plate

### LB SENSOR WIRE TERMINAL COLOR CODING ASSIGNMENTS

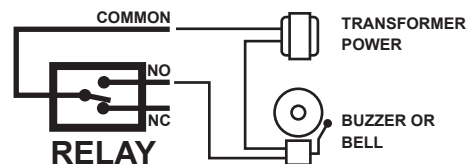
#### NOTE:

Please observe proper polarity for the LB sensor. The RED wire terminal must be attached to the POSITIVE side and the BLACK wire terminal must be attached to the NEGATIVE side.

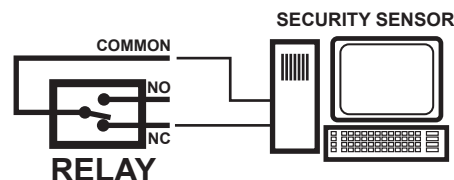


### WIRING SCHEMATICS FOR TYPICAL APPLICATIONS

For an alarm system a Buzzer or Bell can be wired to the NO terminal such that when the door is open the Buzzer or Bell will sound.



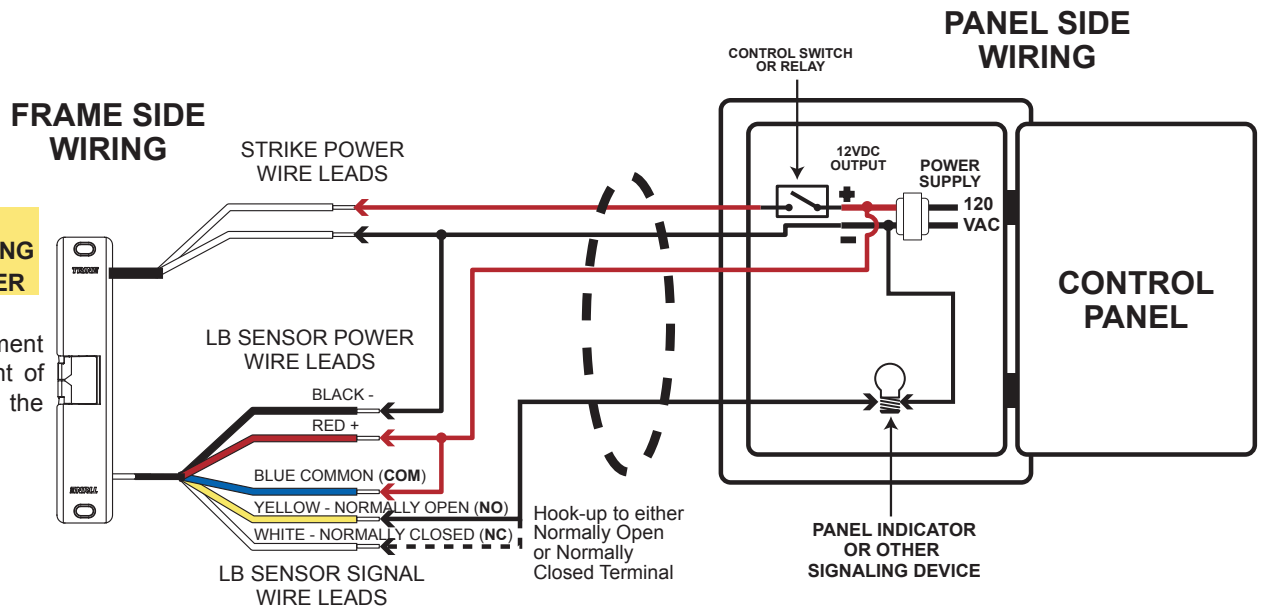
For a security system setup one side of the circuit can be connected to the common and the other side to the NC terminal so that when the door is open, the system senses the relay switch as open



# WIRING SCHEMATICS FOR DIFFERENT APPLICATIONS

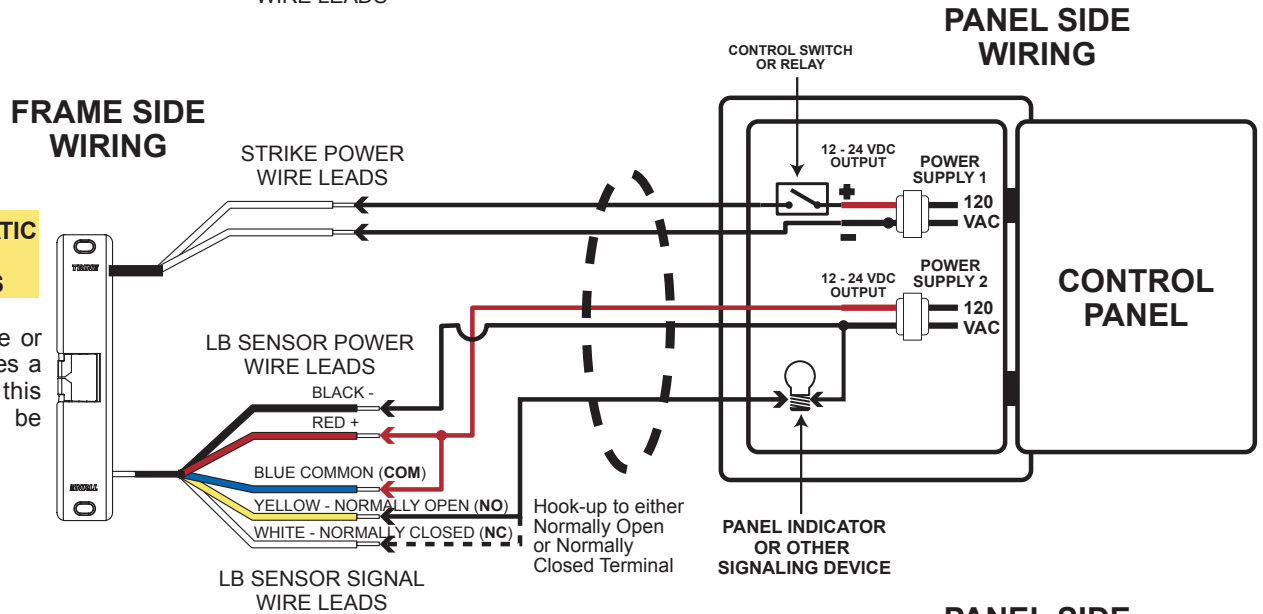
## FOUR WIRE SCHEMATIC UTILIZING ONE TRANSFORMER

This wiring arrangement uses the least amount of conductors between the Panel and the Frame.



## FIVE WIRE SCHEMATIC UTILIZING TWO TRANSFORMERS

If the Signaling Device or Panel Indicator requires a different voltage, this wiring scheme can be used.



## SIX WIRE SCHEMATIC UTILIZING THREE TRANSFORMERS

This wiring arrangement is used to isolate the strike operation, from the LB sensor power board and finally the Panel Indicator or Signaling Device.

