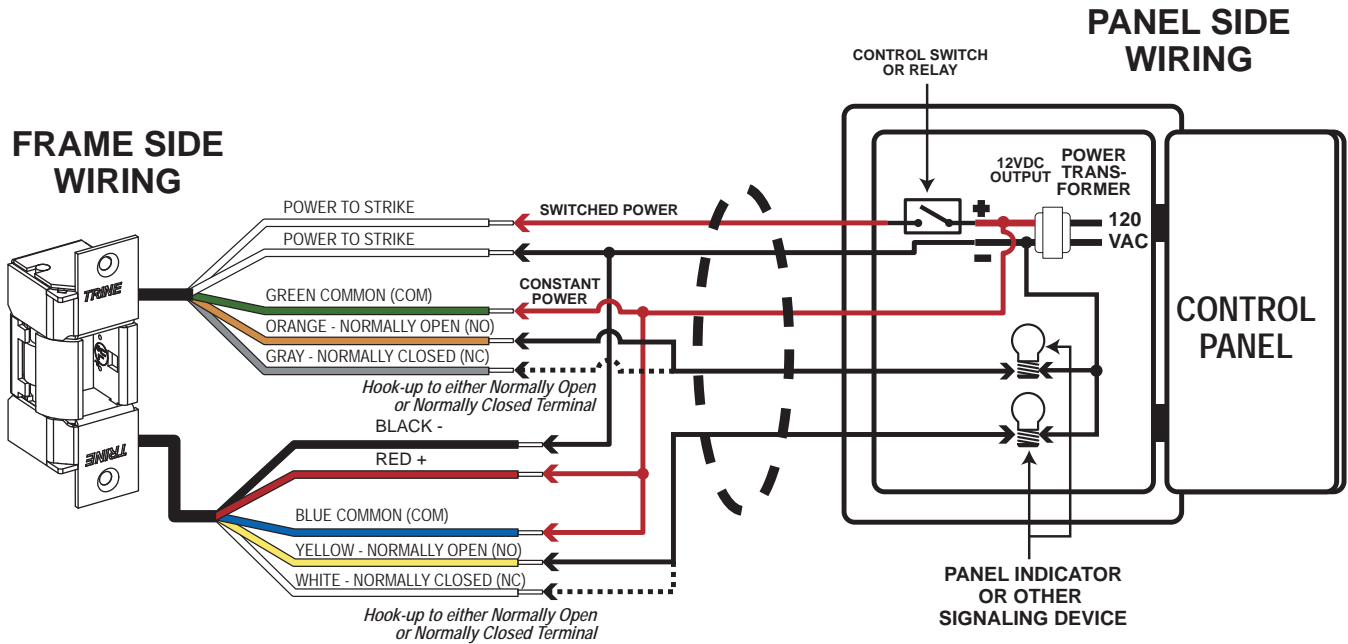


# WIRING SCHEMATICS FOR DIFFERENT APPLICATIONS

## EN400, EN800, EN850, EN950, EN960 LBSM WIRING SCHEMATIC

### FIVE WIRE SCHEMATIC UTILIZING ONE TRANSFORMER

This wiring arrangement uses the least amount of conductors between the Panel and the Frame.



### SIX WIRE SCHEMATIC UTILIZING TWO TRANSFORMERS

This wiring arrangement is used to isolate the strike operation, from the LB and/or the SLIDER sensor and power board and the Panel Indicator or Signaling Device.

