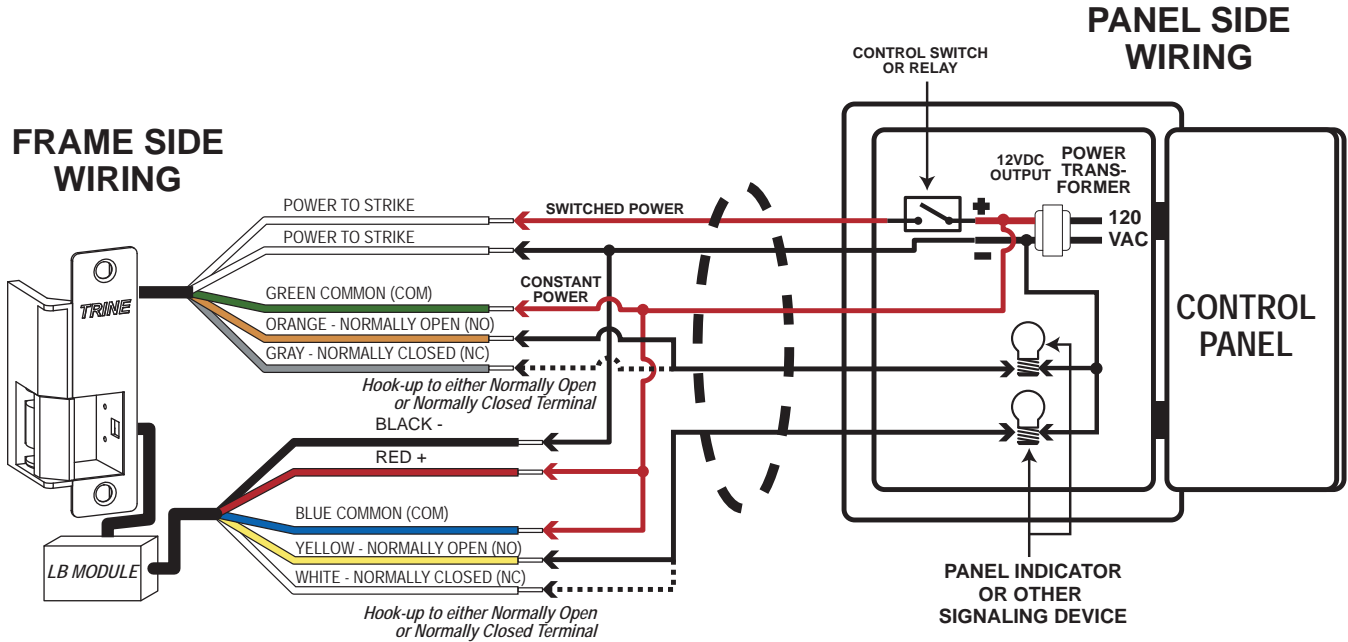


WIRING SCHEMATICS FOR DIFFERENT APPLICATIONS

EN 430/435 LBSM WIRING SCHEMATIC

FIVE WIRE SCHEMATIC UTILIZING ONE TRANSFORMER

This wiring arrangement uses the least amount of conductors between the Panel and the Frame.



SIX WIRE SCHEMATIC UTILIZING TWO TRANSFORMERS

This wiring arrangement is used to isolate the strike operation, from the LB and/or the SLIDER sensor and power board and the Panel Indicator or Signaling Device.

