

LC100 INSTRUCTIONS

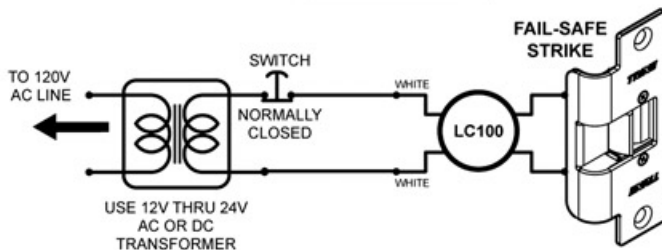
YOU MUST USE THE LC100 ON ALL INSTALLATIONS

The LC-100 is a power regulator for your Axion 3000 Series Strikes. The LED light indicates a properly functioning unit. The LC-100 has six (6) wire terminals and they are color coded as follows:

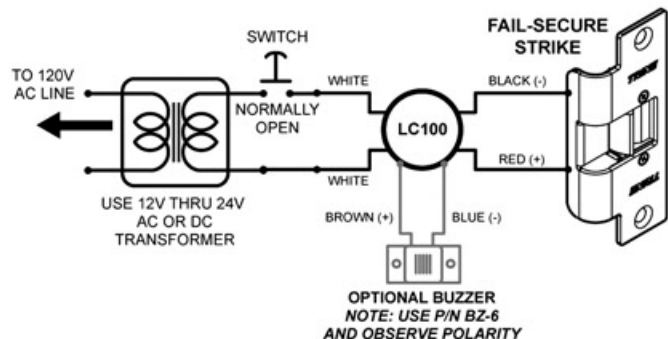
- **White - White Pair:** This is the power input terminal. You can apply 10.8V through 28V AC or DC to this pair.
- **Black - Red Pair:** This is the output terminal. The Black is the negative output and the Red is the positive output. The output voltage is 9.5V DC for approximately 2.5 seconds (also called the trigger voltage) after 2.5 seconds, the voltage output drops down to 5.5V DC for as long as the LC-100 is powered (also called holding voltage). **Remember, the electric strike leads are not polarity sensitive so you can hook up the wires in any order.
- **Blue - Brown Pair:** This pair is an auxiliary power that can be used for a buzzer or indicator light. Brown is the positive output and Blue is the negative output. When the LC-100 is powered this pair outputs 6VDC at 40mA maximum current. **If you are not using this feature it is best to cut the ends off so the wires will not short.

** WARNING - DO NOT SHORT CIRCUIT OUTPUT WIRE LEADS **

WIRING FOR FAIL-SAFE MODE



WIRING FOR FAIL-SECURE MODE



FAILURE TO USE THE LC100 WITH THE ELECTRIC STRIKE WILL VOID THE WARRANTY