



**Home to the most BAA compliant
strikes available**

BUILT IN AMERICA

BASED IN AMERICA

BUY AMERICA

Table of Contents

The Specialized Solutions Series

- 3275VRP-LC pg. 4
- 3250SOM-LC "Strike-O-Matic"™ pg.5
- 4100DBDL pg.6-7

Premium Electric Strike Series

- 3000 Series pg.9-23
- 4100 Series pg.24-29
- 4300 Series pg.30-34
- 4800 Series pg.35-39
- EN Series pg.40-46

Light Commercial Electric Strikes

- 00 Series pg 47-49
- 2000 Series pg.50-51
- 1000 Series pg.51

Accessories

- 4850ITL/ANSI-ITL pg. 53
- Wireless Chimes/Transformers pg.54
- 017TDC-4/018-4 pg. 55
- Door Alarms/Switches pg.56
- Chimes/Bells/Buzzers pg. 57
- Pushbuttons pg.58

Other

- Glossary pg. 59
- Dimensions pg.60-61
- Notes Section pg.62-63
- Strike Selector pg.64-65
- Conditions of Sale pg. 66
- Cross Reference pg.67

Newly Discontinued

- 012 - series strike - replace with a 4300CC (faceplate) and 30LC (mechanism)
- 232 - Battery Operated Wireless Chime
- 201, 203 Chime kits - and 240 Chimes.

Previously Discontinued

- 71DB and 71LDB pushbuttons - replace with other 71 series pushbuttons.
- 4850PoE and 4850LCD - replaced by the every day low current draw 4850
- 003 electric strike - see 006 for similar lockset compatibility
- Transformers - 522, 525, 5201, 5203, 5208 and 5209
- 234WB - strobe chime
- 296 wired chime
- 233 wireless chime

**EFFECTIVE DATE
JUNE 1, 2024**

Buy American Act

The **Buy American Act (Buy America)** seek to set a percentage of materials, labor, and manufacturing to support America's manufacturing companies and workers.

Complying with the current 2024 qualification of **65%**, or greater, are the following series and items:

All Models in Series:

3000F Series
3250SOM
3275VRP
4100 Series
4300 Series
4800 Series
EN Series

Within the 3000 Series:

234, 234F, 234X,
234FX,
258 & 258RD
334
3012 & 3024
458LH & 458RH
478 & 478X

Trine Access Technology is committed to our supporting American companies and workers.

BUILT IN AMERICA

BASED IN AMERICA

BUY AMERICA

SPECIALIZED SOLUTIONS

ELECTRIC STRIKE SERIES

**SOLUTIONS FOR UNIQUE INSTALLATIONS
ONLY FROM TRINE**

3275VRP

**THE VERTICAL
ROD LATCH
SOLUTION**



4100DBDL

**THE
DUAL
MECHANISM
SOLUTION**

**Top and Bottom Latches
Provide emergency
deadbolt override!**

**AND NIGHT LATCH FUNCTION FOR
MORTISE LOCKS WITH DEADBOLTS**

3250SOM-LC

**STRIKE-O-MATIC™
THE DOR-O-MATIC™
SOLUTION**

**THE SMALLEST
ELECTRIC STRIKE
IN THE WORLD...
DOES IT AGAIN!**





BUILT IN AMERICA
BASED IN AMERICA
BUY AMERICAN

SURFACE VERTICAL ROD SOLUTION

3275VRP-LC

The 3275VRP is the smallest electric strike solution for surface vertical rod latches.

Utilizes the *heavy duty 3000F series mechanism*.

For Use with:

- Sargent 97/68
- Arrow 3700/S1150/600
- Cal-Royal 9860V/F9860V
- Townsteel ED1200F
- Von Duprin 33/35
- Von Duprin 98/99 (Without the Deadlocking option)



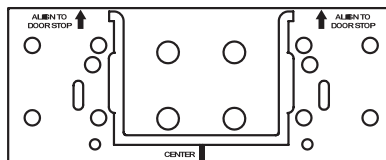
**ACTUAL
 SIZE**



SPECIALIZED SOLUTIONS
ELECTRIC STRIKE SERIES

Features:

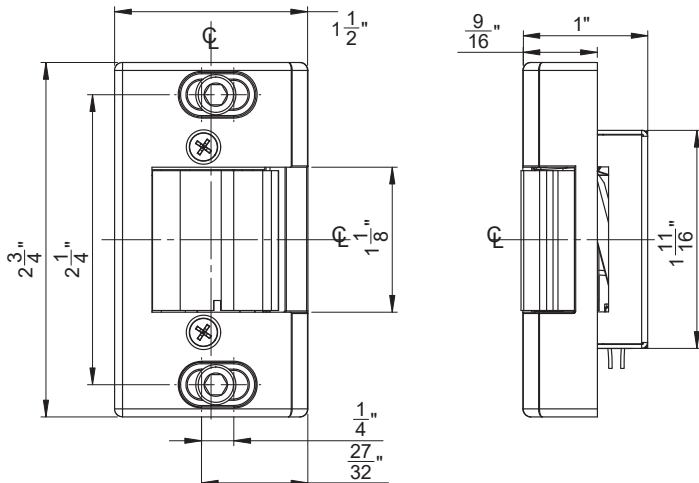
- All stainless steel construction
- Horizontal adjustment
- Metal installation template included (acts as a mounting bracket, too)



- 1/16" spacer plate provided
- Include Trine's patented anchoring system for stability.
- 1,500 lbs holding force
- 500,000+ life cycles
- LC200 included - 12 - 24 DC
 (DO NOT USE LC200 WITH AC POWER)

IMPORTANT - SEE PAGE 11 - NEW ELECTRONICS

| VOLTAGE | PULL IN/HOLD AMPS | OHMS |
|---------|-------------------|------|
| 12VDC | 0.420/.280 | N/A |
| 24VDC | 0.840/.150 | N/A |
| 12VAC | 0.840 | 13 |
| 16VAC | 1.200 | 13 |
| 24VAC | 1.700 | 13 |



Finishes:
 3275VRP-LC-ALUM
 (Aluminum Powder Coat)

Price:
\$479

3275VRP-LC-DKBZ
 (Dark Bronze Powder Coat)

LC200 included

THE DOR-O-MATIC™ SOLUTION



3250SOM-LC (STRIKE-O-MATIC™)

The only electric strike for use with Dor-O-Matic®
AKA The Falcon® Concealed Vertical Rod

- Utilizes the reliable 3000F series mechanism.
- 1/8" Horizontal adjustment included.
- LC200 included - 12 - 24 DC (surge/kick back protection)
(DO NOT USE LC200 WITH AC POWER)

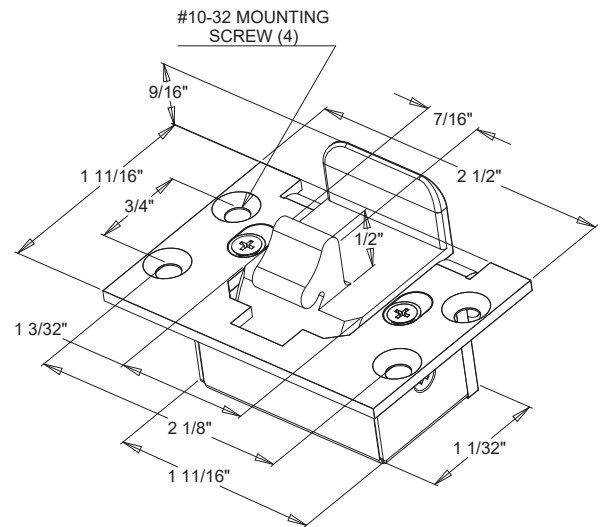
IMPORTANT - SEE PAGE 11 - NEW ELECTRONICS

| VOLTAGE | PULL IN/HOLD AMPS | OHMS |
|---------|-------------------|------|
| 12VDC | 0.420/.280 | N/A |
| 24VDC | 0.840/.150 | N/A |
| 12VAC | 0.840 | 13 |
| 16VAC | 1.200 | 13 |
| 24VAC | 1.700 | 13 |

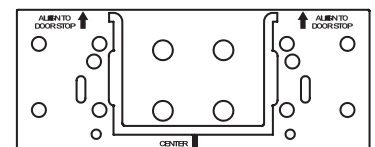


ACTUAL SIZE

SPECIALIZED SOLUTIONS
ELECTRIC STRIKE SERIES



Metal installation
template included
(& mounting bracket)



Features:

- Two faceplates provided, aluminum & dark bronze finish
- All stainless steel mechanism
- Tested to Grade 1: BHMA - A156.31
- 1,500 lbs holding force
- 500,000+ life cycles
- Patent # US5076625A



Finishes:
3250SOM-LC-ALDB
(Aluminum & Dark Bronze
Powder Coat)

Price:
\$519

LC200 included

www.trineonline.com



BUILT IN AMERICA
BASED IN AMERICA
BUY AMERICAN

THE DEADBOLT
SPLIT LATCH SOLUTION

4100DBDL

SPECIALIZED SOLUTIONS
ELECTRIC STRIKE SERIES

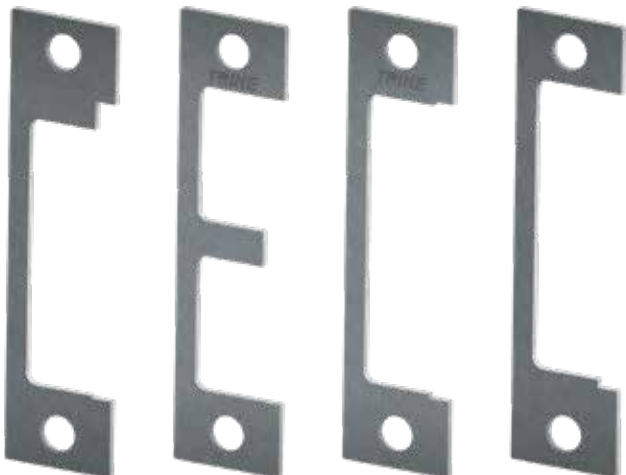
The only electric strike with two locking mechanisms that function separately.



Designed for deadbolt **privacy**, allowing for an emergency **override**.

Can be used for a night-latch function.
(Leave the deadbolt latch un-powered).

4 Faceplates included



Best installation opportunities



THE DEADBOLT SPLIT LATCH SOLUTION



Key Features:

- Two independently operated latch systems.
- Use with mortise locks with dead bolts up to 1" projection.
- **Flexible:** Always be prepared!
 - Four faceplates included
 - 12 & 24DC, 12-24 AC, Low Current Draw
 - One Trim Skirt (matching finish)
- **Strong:** 2,000 lbs. holding force on each latch
- **Durable:** Exceeds 1,000,000 Life Cycles
- Works with the Schlage® L Series & Yale® 8700 Series **without** relocating mounting tabs.
- 1 - 11/16" backset.



Standards:

- 3-hour fire rated – UL10C, Fire Tests of Door Assemblies.
- BHMA Grade 1: ANSI/BHMA A156.5
- UBC 7-2, Uniform Building Code.
- CAN4 S104, Standard Method for Fire Tests of Door Assemblies.
- NFPA 252 - Issue: 1999/01/01 Standard Methods of Fire Tests of Door Assemblies.
- ANSI/BHMA A156.31-2007
- Patent # US10781611B2



Electric Characteristics *Per latch*

| Voltage | Current/Amps | Ohms | Duty | Sound |
|-------------|--------------|------|-------------|--------|
| 12DC | 0.310 | 39 | Intm./Cont. | Silent |
| 24DC | 0.140 | 171 | Intm./Cont. | Silent |
| 12AC @ 60hz | 0.280 | 39 | Intm. | Buzz |
| 16AC @ 60hz | 0.380 | 39 | Intm. | Buzz |
| 24AC @ 60hz | 0.550 | 39 | Intm. | Buzz |

Finishes:

4100DBDL-32D (Satin Stainless Steel -- BHMA630)

Price:
\$699

The following finishes are:

- **4100DBDL-US4** (Satin Brass -- BHMA606)
- **4100DBDL-US10** (Satin Bronze -- BHMA612)
- **4100DBDL-US10B** (Dark Bronze -- BHMA613E)

\$779

The following finishes are:

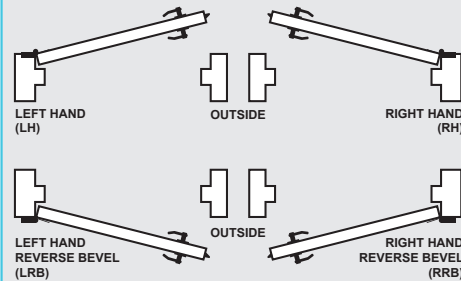
- **4100DBDL-32** (Polished Stainless Steel -- BHMA629)
- **4100DBDL-US3** (Bright Brass -- BHMA605)

\$820

To order Fail-safe (RS) see Handling and Failsafe chart table to the right

RS is same cost as above

HOW TO ORDER



Unit is Handed

HANDING OF DOOR IS ALWAYS DETERMINED FROM THE OUTSIDE.

4100DBDL Handing & Failsafe Chart

Both latches Fail Secure (unlocks with power):
4100DBDL-LH-(finish)
4100DBDL-RH-(finish)

Both latches Fail Safe (locks with power):
4100DBDL-RS-LH-(finish)
4100DBDL-RS-RH-(finish)

Top latch (only) is Fail Safe (locks with power):
4100DBDL-RST-LH-(finish)
4100DBDL-RST-RH-(finish)

Bottom latch (only) is Fail Safe (locks with power):
4100DBDL-RSB-LH-(finish)
4100DBDL-RSB-RH-(finish)

LB option on the 4100DBDL

Utilizes IR optical active sensor for the deadbolt and the the latchbolt, with mortise devices. Electrical information is the same as pg 39.

Add "LB" to the 4100DBDL or 4100DB
Example:
- 4100DBLB-32D

Dual Relay
add \$150.00
to the base price

THE FAMILY OF ONE BOX SOLUTIONS

323478LC FOR CYLINDRICAL LOCKSETS



THE SMALLEST ELECTRIC STRIKE IN THE WORLD

323478F-LC

FOR CYLINDRICAL LOCKSETS

THE SMALLEST HEAVY DUTY FIRE RATED ELECTRIC STRIKE IN THE WORLD



3 HOUR FIRE RATED



FOR CYLINDRICAL & MORTISE LOCKS

4100

4 FACEPLATES INCLUDED



3 HOUR FIRE RATED



FOR RIM PANIC EXIT DEVICES

4800F



THREE  HOUR FIRE RATED

FIRE RATED AT NO ADDITIONAL COST

 EVERYDAY LOW CURRENT DRAW

4850

FOR RIM PANIC EXIT DEVICES

HANDLES BOTH 1/2" & 3/4" LATCHES

NOW HANDLES UP TO A 1" LATCH

 EVERYDAY LOW CURRENT DRAW



4300

FOR CYLINDRICAL & DEADLATCHES

1/4" Horizontal Adjustment.

Tall Latch Cavity.

THE MOST FLEXIBLE STRIKE AVAILABLE!



EN400MRP

THE GATE SOLUTION FOR CYLINDRICAL, MORTISE, & RIM PANIC EXIT DEVICES



OUTDOOR RATED

3 HOUR FIRE RATED



THE ONE BOX SOLUTION

THE SMALLEST ELECTRIC STRIKE IN THE WORLD



**THE
STANDARD**



**HEAVY DUTY
& FIRE RATED**

**SMALL STRIKES - FIRE RATED OR NOT
THE WAY YOU NEED THEM.**



**MAKING SMALL STRIKE INSTALLATIONS
EVEN EASIER**

**CHECK OUT THE
ANSI-ITL**

ON PAGE 54



BUILT IN AMERICA
BASED IN AMERICA
BUY AMERICAN

Only 1" Total Backset
3000 Series

Key Features

- Accepts up to 5/8" latch throw
- 500,000 + life cycles
- 1,500 + lbs. holding force (1,200 lbs. for 334)
- Dynamic Force 70 ft/lb.
- Tested to Grade 1: BHMA - A156.31
- Fail-safe Option - "RS" (locks with power)

3000 series not is recommended for use on uncovered exterior doors.

See page 21 for 3000 series Accessories

Standards

- 3000F models - UL 10C 3 hour fire rated

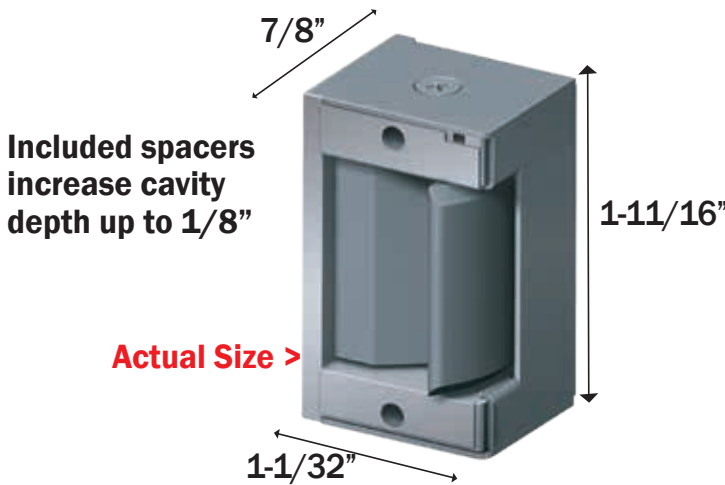


Heavy Duty Fire Rated options page 13 and 14

| MODEL | VOLTAGE | CURRENT/AMPS | OHMS | DUTY | SOUND | WIRE COLOR |
|-------------|---------|--------------|------|--------------|--------|------------|
| 3012 | 12VDC | .480 | 25 | Intermittent | Silent | Blue |
| 3024 | 24VDC | .240 | 100 | Intermittent | Silent | White |

(LC200 not required for 3012/3024 models)

3012 & 3024 Mechanism



30LC & 30RS Mechanism



| Model | Voltage | Function | Duty |
|-------------|---------|-------------|--------------|
| 3012 | 12DC | Fail Secure | Intermittent |
| 3024 | 24DC | Fail Secure | Intermittent |

Price:
\$168
\$168

| Item | Voltage | Function | Duty |
|-------------|----------|-------------|--------------|
| 30LC | 11-29 DC | Fail Secure | Continuous |
| | 11-29 AC | Fail Secure | Intermittent |
| 30RS | 11-29 DC | Fail Safe | Continuous |

Price:
\$212
\$212

**** NEW LC VOLTAGE CHARACTERISTICS - USE LC-200 FOR DC ONLY ****

| MODELS | VOLTAGE | PULL IN/HOLD AMPS | OHMS | DUTY | SOUND |
|--------------------|---------|-------------------|------|-------------------------|--------|
| 323478LC/ | 12VDC | .420/.280 | N/A | Intermittent/Continuous | Silent |
| 3258458LC/ | 24VDC | .840/.150 | N/A | Intermittent/Continuous | Silent |
| 323478F-LC/ | | | | | |
| 323478FX-LC | 12VAC | 0.840 | 11 | Intermittent | Buzz |
| 30LC/30RS | 16VAC | 1.200 | 11 | Intermittent | Buzz |
| | 24VAC | 1.70 | 11 | Intermittent | Buzz |

**** Must use LC200 on DC for all LC/RS units.**

**** Do not use LC-200 for AC Power - for AC wire direct to 30LC mechanism****

THE SMALLEST ELECTRIC STRIKE IN THE WORLD
THE 3000 SERIES



FOR CYLINDRICAL LOCKS

323478LC KIT

323478LC Includes:

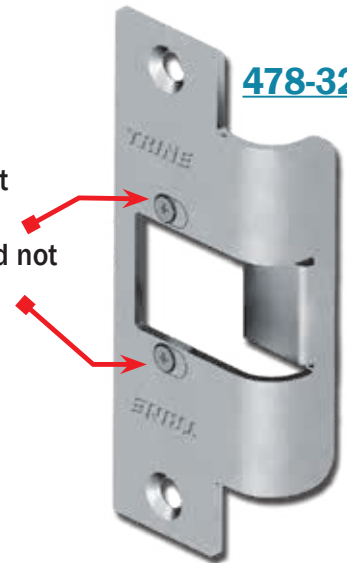
- (1) 234-26D – 2 3/4" Faceplate
- (1) 234X-375-26D – 2 3/4" Faceplate with extended ramp →
- (1) 478-32D – 4 7/8" Faceplate
- (1) 30LC - 11-29 AC & DC Mechanism

234X-26D



Patented horizontal adjustment feature – guaranteed not to move!

478-32D



Designed for Timely®/Raco®/Redi®/IDP® Frames. Great for Wood!

30LC



234-26D



For the smallest electric strike cutout!

Need an Installation Tool?
See page 54

| | |
|-------------------------------------------------------------|-------------------------------|
| Finishes: 323478LC-32D (Satin Stainless Steel) | Price: \$282 |
|-------------------------------------------------------------|-------------------------------|

FOR DEADLATCHES AND ALUMINUM FRAMES

3258458LC KIT

3258458LC Includes:

- (1) 258 – 2 5/8" Faceplate
- (1) 458LH – 4 5/8" Left Handed Faceplate
- (1) 458RH – 4 5/8" Right Handed Faceplate
- (1) 30LC - 11-29 AC & DC Mechanism

80% LESS FRAME CUTTING.

Smallest aluminum solution available - Great for glass store fronts

Fills frame preparation for many Adams Rite® Locks without relocating tabs.

| | |
|--------------------------------------------------------------|-------------------------------|
| Finishes: 3258458LC-ALUM (Aluminum Powder Coat) | Price: \$299 |
| 3258458LC-DKBZ (Dark Bronze Powder Coat – BHMA613E) | \$299 |

258



30LC



458RH



458LH



See page 19-20 for cut out details.



BUILT IN AMERICA
BASED IN AMERICA
BUY AMERICAN

THE SMALLEST FIRE RATED
ELECTRIC STRIKE IN THE WORLD

323478F-LC KIT

- Heavy Duty Stainless Steel Construction
- 1" Total Backset
- 1/8" Horizontal Adjustment
- 12-24 AC & DC
- Includes LC200 & Trim skirt (CCFP)

Standards:

- 3-hour fire rated – UL10C, Fire Tests of Door Assemblies.
- Factory Tested to Grade 1: BHMA - A156.31 - Heavy Duty



NOTE: Fire listing is always void when using fail safe (RS) action.

FORGING
NEW SOLUTIONS
WITH ELECTRIC STRIKES



1/8" HORIZONTAL
ADJUSTMENTS ON ALL
FACEPLATES

see pg 15
for details



See page 11 for electrical details.

| Finishes: | Price: |
|------------------------------------------------------------------|--------------|
| 323478F-LC-32D (Satin Stainless Steel – BHMA630) | \$489 |
| 323478F-RS-32D ✘ (Satin Stainless Steel – BHMA630) | \$489 |
| 323478F-LC-DKBZ (Dark Bronze Powder Coat – BHMA613E) | \$513 |
| 323478F-RS-DKBZ ✘ (Dark Bronze Powder Coat – BHMA613E) | \$513 |

Need an
Installation
Tool?
See page 54

323478FX-LC

- Same features as above!
- Contains the 478X-375 Faceplate for Timely®/Redi®/Raco®/IDP® Frames (instead of the 478 Faceplate.)

| Finishes: | Price: |
|------------------------------------------------------------------|--------------|
| 323478FX-LC-32D (Satin Stainless Steel -- BHMA630) | \$505 |
| 323478FX-LC-DKBZ (Dark Bronze Powder Coat -- BHMA613E) | \$526 |

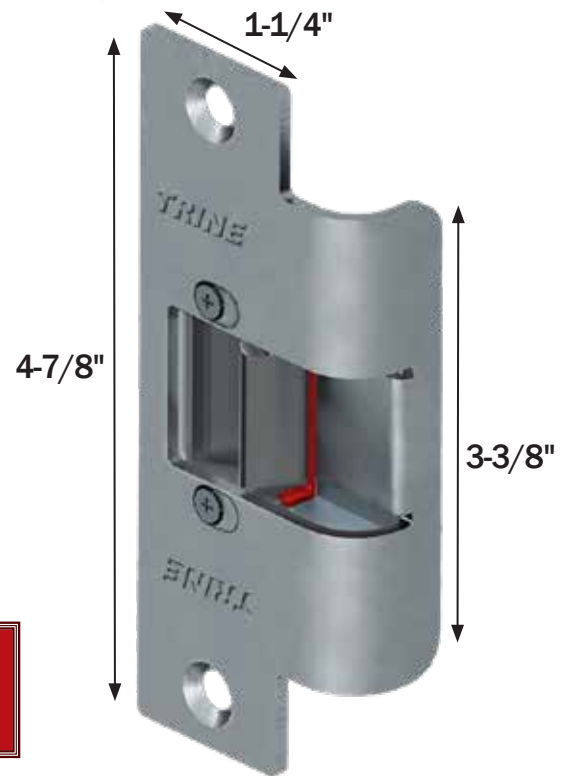
EXTENDED LIP
STRIKE SOLUTION!



see pg 17
for details

3478F

- Heavy duty stainless steel construction
- 1" total backset
- 1/8" horizontal adjustment
- Two 1/16" shims for depth adjustment
- Trim skirt (CCFP) included (see pg 15*)
- 3478F-LC includes LC200



See page 11 for electrical details.

**Need an
Installation
Tool?
See page 54**

Standards:

- 3-hour fire rated – UL10C, Fire Tests of Door Assemblies.
- Tested to Grade 1 - Heavy Duty

** NOTE: WH fire listing is void when using fail safe action.*



| Finishes: | Price: |
|-----------------------------------------------------------------|--------------|
| 3478F-LC-32D (Satin Stainless Steel -- BHMA630) | |
| * 3478F-RS-32D (Satin Stainless Steel -- BHMA630) | \$415 |
| 3478F-LC-DKBZ (Dark Bronze Powder Coat -- BHMA613E) | |
| * 3478F-RS-DKBZ (Dark Bronze Powder Coat -- BHMA613E) | \$425 |
| 3478F-12DC-32D (Satin Stainless Steel -- BHMA630) | |
| 3478F-24DC-32D (Satin Stainless Steel -- BHMA630) | \$382 |
| 3478F-12DC-DKBZ (Dark Bronze Powder Coat -- BHMA613E) | |
| 3478F-24DC-DKBZ (Dark Bronze Powder Coat -- BHMA613E) | \$404 |

FIRE RATING IS THE EVERYDAY STANDARD

Compare the 3478F, the 323478F, the 4800F for rim panics, or even the outdoor rated EN400 against the competition.

We offer a stronger, more durable, fire rated product... for less.



BUILT IN AMERICA
BASED IN AMERICA
BUY AMERICAN

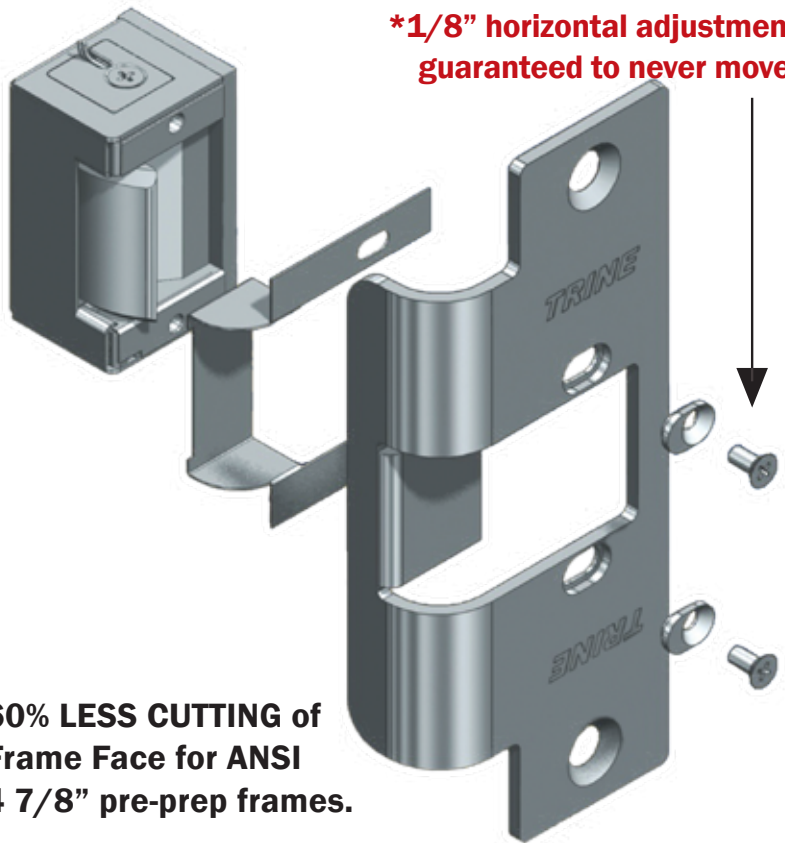
SMALLEST ELECTRIC STRIKE IN THE WORLD
THE 3000 SERIES

478

Adjustable 4-7/8" ANSI standard faceplate



For new or replacement installation in wood or metal frames. Use with cylindrical locksets having up to 5/8" throw, based on 1/8" door gap.

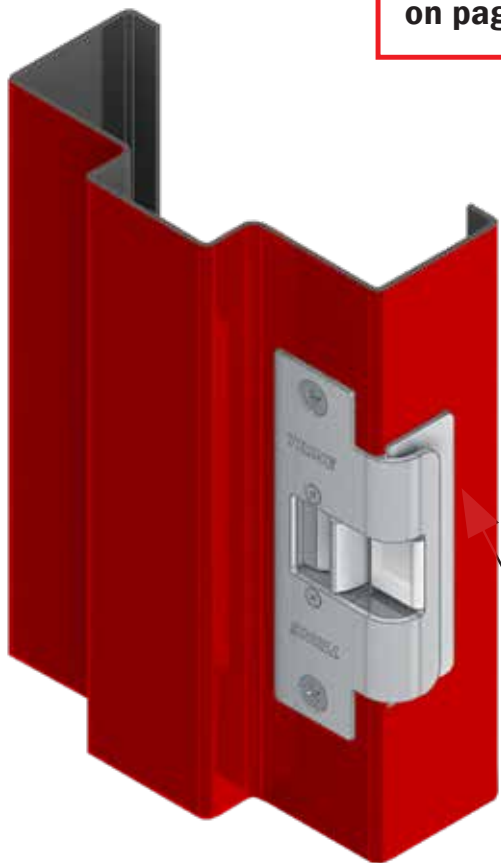


***1/8" horizontal adjustment guaranteed to never move.**

Dimensions on page 60.

60% LESS CUTTING of Frame Face for ANSI 4 7/8" pre-prep frames.

No ugly black ramp!



478-CCFP INCLUDED WITH THE 478 FACEPLATE!

Competitor Cutout Filler Plate

Stainless plate designed to fill in the cut left by competitor models.

| Finishes: | Price: |
|--------------------------------------------------------------|-----------------|
| 478-32D (Satin Stainless Steel -- BHMA630) | \$45 |
| 478-32 (Polished Stainless Steel -- BHMA629) | \$70 |
| 478-US10B (Dark Bronze Powder Coat -- BHMA613E) | \$61 |
| 478-US3 (Bright Brass -- BHMA605) | \$80 |
| 478-US4 (Satin Brass -- BHMA606) | \$66 |
| RD (Radiused Corners) | add \$10 |
| 478RO and 478LO (drop plates) are same cost as above. | |
| Match with any 3000 Mechanism: 3012, 3024, 30LC, 30RS | |

Need an Installation Tool?
See page 54

ANSI FACEPLATE SOLUTIONS

The 3000 Series are the
'Notch and Go'
Electric Strikes

478

Requires a small rectangular cut
and has the smallest backset of any
ANSI electric strike. Compared to
traditional electric strikes there is
no competition.

**NO NEED
TO REMOVE
DUSTBOX**

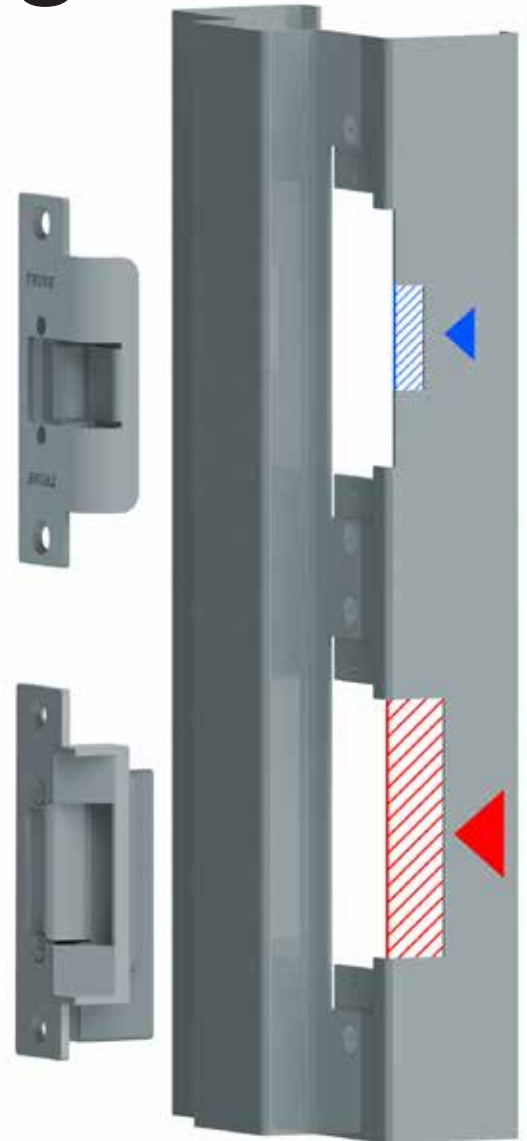
With only a 1"
total backset
there is no need
to remove the
dustbox in most
installations

**UNLIKE 'no-cut'
electric strikes.**

478 Faceplate
Just a small
notch to install.

Compare cutting!

Typical 4 7/8"
Electric Strike
Dust Box must be
removed.



Accommodate for door sag - replace your 478 with a 478RO (right offset) and the 478LO (left offset).

478LO / 478RO Faceplate

60% LESS FRAME CUTTING of Frame Face for ANSI 4 7/8" pre-prep frames. The strike opening on this face plate is **offset by 3/16"** from the center to accommodate door sag for the 478 (just change faceplates, and use the same mechanism)

Same dimensions as 478 - except 3/16" lower cavity offset.

HOW TO ORDER:

SEE PAGE 15 FOR PRICING.

TO ORDER ADD RO (FOR RIGHT OFFSET) **OR LO** (FOR LEFT OFFSET).

EX: 478RO-32D OR 478LO-10B



BUILT IN AMERICA
BASED IN AMERICA
BUY AMERICAN

SMALLEST ELECTRIC STRIKE IN THE WORLD

THE 3000 SERIES

478X-375

Extended Lip Faceplate

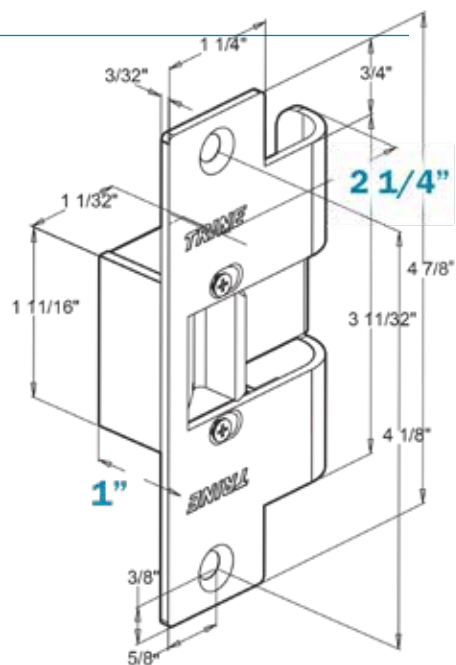


Built in trimskirt.

Frame features an extended ramp to accommodate additional face of Timely®/Redi®/Raco®/IDP® frames. Use with cylindrical locksets and deadlatches having up to 5/8" throw, based on 1/8" door gap.

Provides the only professionally finished look for wood frames with trim.

Ramp Extends .375"



Made for
Timely®/Raco® /
Redi®/IDP® Frames

Need Fire Rated?
 See pg 13 for the
 323478FX-LC
 3 hour fire rated
 version

GOODBYE UNATTRACTIVE BLACK RAMPS!

- Extended ramp (.375") accommodates snap-on additional frame face of Timely® & Redi® Frames.
- Eliminates traditional 4 7/8" ANSI strike cutting and black ramp extensions.
- 1/8" Horizontal Adjustments help prevent door pre-load.

See page 24 for wood and metal frame preps.

| Finishes: | Price: |
|-----------------------------------------------------------------|-----------------|
| 478X-375-32D (Satin Stainless Steel -- BHMA630) | \$63 |
| 478X-375-US10B (Dark Bronze Powder Coat -- BHMA613E) | \$81 |
| 478X-375-US3 (Bright Brass -- BHMA605) | \$92 |
| RD (Radiused Corners) | add \$10 |
| Match with any 3000 Mechanism: 3012, 3024, 30LC, 30RS | |

THE SMALLEST ELECTRIC STRIKE IN THE WORLD

234 & 234X Faceplates



234 / 234F Faceplate

Smallest Electric Strike in the World

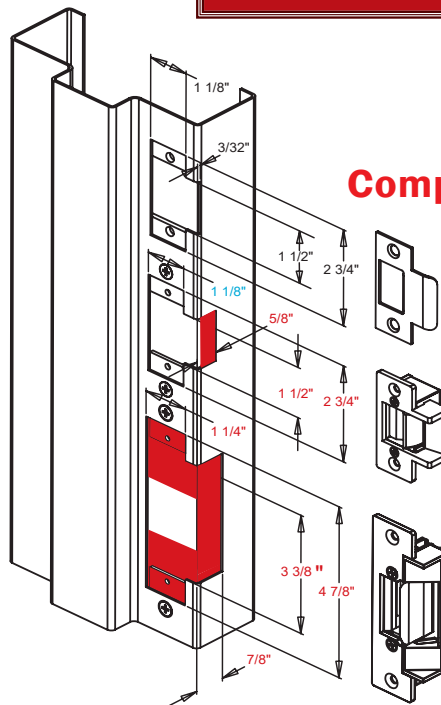
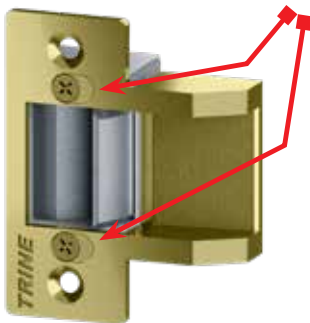
For new or replacement installations in metal frames. Use with cylindrical locksets having up to 5/8" throw, based on 1/8" door gap.



Need an Installation Tool?
See page 54

| Finishes: | Price: |
|-----------------------------------------------------------|-------------|
| 234-26D (Satin Chrome -- BHMA651) | \$31 |
| 234-US10B (Dark Bronze Powder Coat -- BHMA613E) | \$36 |
| Stainless Steel Faceplates: | |
| 234F-32D (Satin Stainless Steel -- BHMA630) | \$58 |
| 234F-US3 (Bright Brass -- BHMA605) | \$84 |
| Match with any 3000 Mechanism: 3012, 3024, 30LC, 30RS | |

1/8" Adjustment available on 234F and 234FX faceplates



Compare cutting!

Notch an Go electric strike.

Reduced cutting means **stronger frames!**

Made for Timely®/Raco®/Redi®/IDP® Frames

234X-375 / 234FX-375

Extended Ramp Faceplate



Standard ANSI prep features an extended ramp to accommodate additional face of Timely®/Redi®/Raco®/IDP® frames. Ramp is extended 3/8". For new or replacement installations. Use with cylindrical locksets having up to 5/8" throw, based on 1/8" door gap.

| Finishes: | Price: |
|----------------------------------------------------------------|-------------|
| 234X-375-26D (Satin Chrome -- BHMA651) | \$38 |
| 234X-375-US10B (Dark Bronze Powder Coat -- BHMA613E) | \$45 |
| Stainless Steel Faceplates: | |
| 234FX-375-32D (Satin Stainless Steel -- BHMA630) | \$66 |
| 234FX-375-US3 (Bright Brass -- BHMA605) | \$93 |
| Match with any 3000 Mechanism: 3012, 3024, 30LC, 30RS | |

Great for wood frames and wood jambs with casing.



BUILT IN AMERICA
BASED IN AMERICA
BUY AMERICAN

258 & 258RD Faceplates



258 Faceplate

80% less frame cutting when compared to typical 4 7/8" electric strike installations.

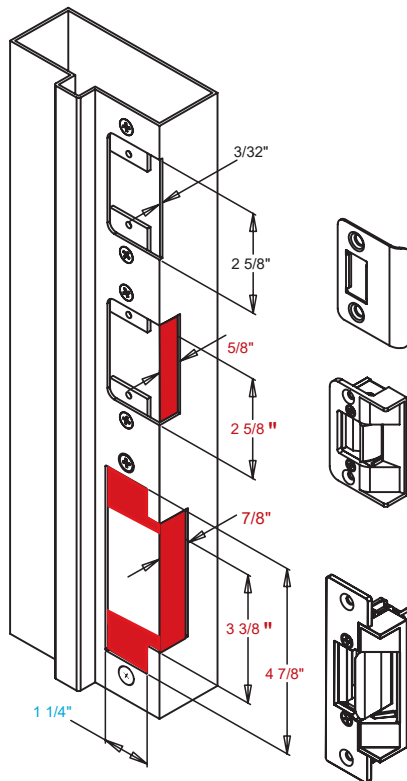
For new or replacement installations in aluminum frames. Use with 4510, 4710 & 4750 Adams Rite® dead latches. Replaces 4502 strike plate with slight modification.

Dimensions
on page 60.

| Finishes: | Price: |
|-------------------------------------------------------|--------|
| 258-26D (Satin Chrome -- BHMA651) | \$39 |
| 258-US10B (Dark Bronze Powder Coat -- BHMA613E) | \$42 |
| Match with any 3000 Mechanism: 3012, 3024, 30LC, 30RS | |



Best solution for installing in aluminum.



Compare cutting!

2 5/8" Strike Plate

258 Faceplate
Can use existing tab holes.

Typical 4 7/8" Electric Strike
New tabs are required.

No need to relocate tabs or make unnecessary cuts.

Makes for a stronger and better looking installation!

Dimensions
on page 60.

| Finishes: | Price: |
|-------------------------------------------------------|--------|
| 258RD-26D (Satin Chrome -- BHMA651) | \$41 |
| 258RD-US10B (Dark Bronze Powder Coat -- BHMA613E) | \$46 |
| Match with any 3000 Mechanism: 3012, 3024, 30LC, 30RS | |

258RD Radius Faceplate

80% less door cutting when compared to typical 4 7/8" electric strike installations.

For new or replacement installations in aluminum doors. Use with 4510, 4710 & 4750 Adams Rite® dead latches. Replaces 4502 & 4900 strike plate with slight modification.



Radius of faceplate matches the radius edge of the door.



THE SMALLEST ELECTRIC STRIKE IN THE WORLD

458 Faceplate



458 Faceplate

80% LESS FRAME CUTTING.

Fills the frame preparation of Adams Rite® MS Locks without relocating tabs for 4 7/8" electric strikes. For new or replacement installations in aluminum frames.

Replaces Adams Rite® 4730/4501 strike plate with slight frame modification. Including the 4900 with pin.

| Finishes: | Price: |
|----------------------------------------------------------------------------|-------------|
| 458-ALUM (Aluminum Powder Coat) | \$70 |
| 458-DKBZ (Dark Bronze Powder Coat -- BHMA613E) | \$70 |
| Match with any 3000 Mechanism: 3012, 3024, 30LC, 30RS | |
| **Must Specify Handing** RH or LH example: 458-ALUM-LH | |

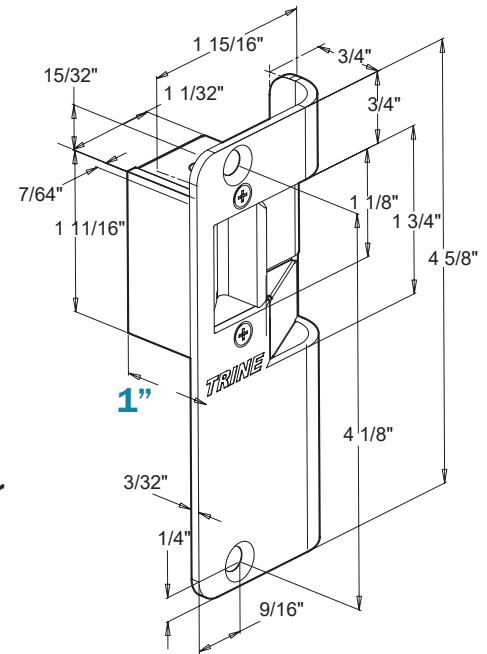
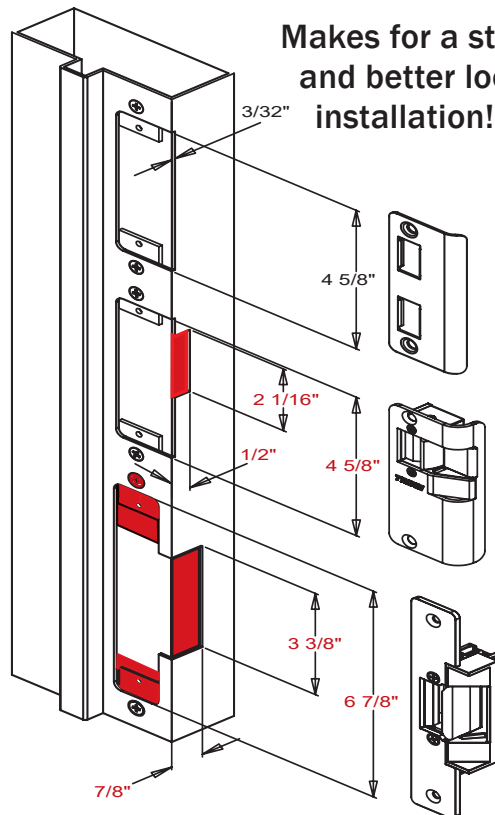


RH-Right Handed Strike Shown

Compare cutting!

No need to relocate tabs or make unnecessary cuts.

Makes for a stronger and better looking installation!



4 5/8" Strike Plate

458 Faceplate
Can use existing tab holes.

Typical 6 7/8" Electric Strike
New tabs are required.

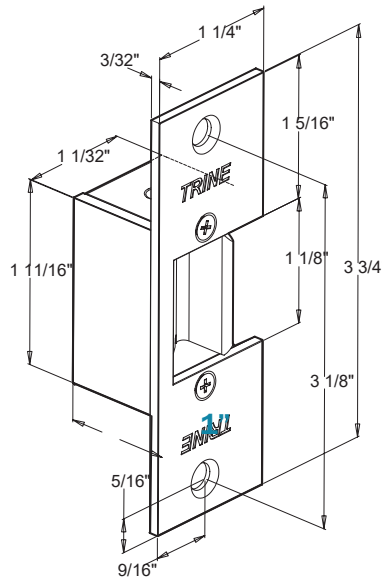


BUILT IN AMERICA
BASED IN AMERICA
BUY AMERICAN

334 Faceplate & 3000 Accessories

334 Faceplate

For new or replacement installations in wood frames. Use with cylindrical locksets with up to 5/8" throw, based on 1/8" door gap.



| Finishes: | Price: |
|-------------------------------------------------------|-------------|
| 334-26D (Satin Chrome -- BHMA651) | \$38 |
| 334-US3 (Bright Brass -- BHMA605) | \$47 |
| 334-US4 (Satin Brass -- BHMA606) | \$44 |
| Match with any 3000 Mechanism: 3012, 3024, 30LC, 30RS | |

LC200

An external line conditioner regulating input voltages, 12 & 24 DC, and conditions the output for the activation period. Provides current/voltage surge & kickback protection.

MUST USE LC-200 WITH 30LC/30RS FOR DC POWER



Price: \$74

Piezo Buzzer for "Standard Models"

- **BZ-12**: Audible buzzer for 12DC power
- **BZ-24**: Audible buzzer for 24DC power

Piezo Buzzer for "LC Models"

- **BZ-6**: Audible buzzer for 6DC power



Price: \$26

3000-AK: Accessories Kit for the 3000 series:

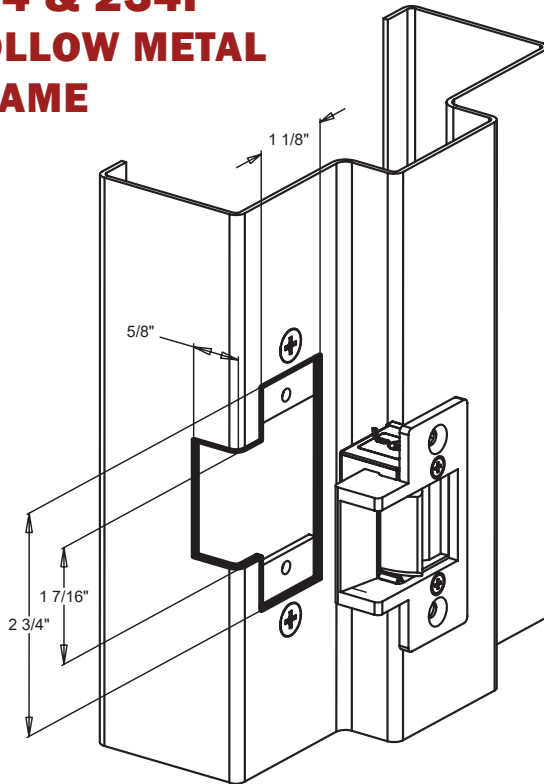
Includes: (2) 1/8" strike shims. (2) 1/16" faceplate shims (2) 1/8" Horizontal adjustment tabs. (2) Long faceplate screws. (2) Short faceplate screws.

Price: \$32

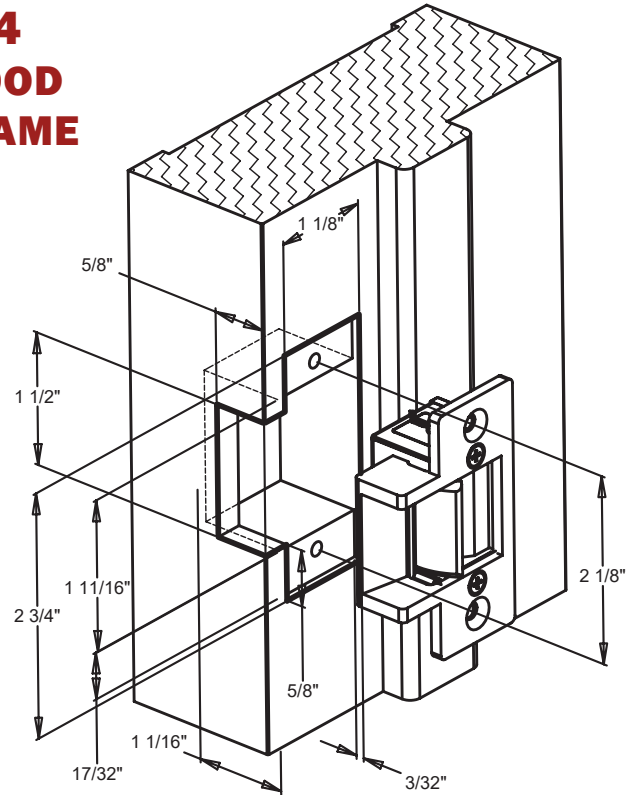
FRAME PREPS THE 3000 SERIES



234 & 234F HOLLOW METAL FRAME

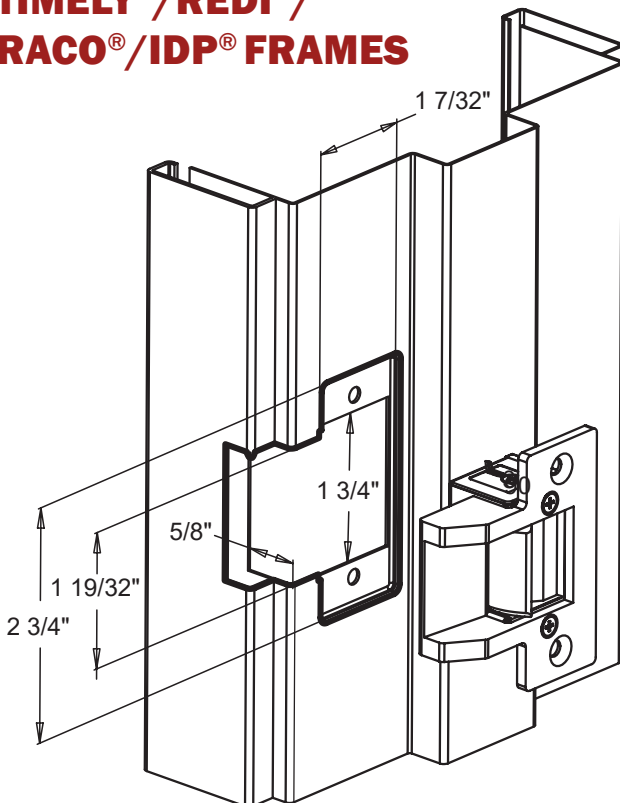


234 WOOD FRAME

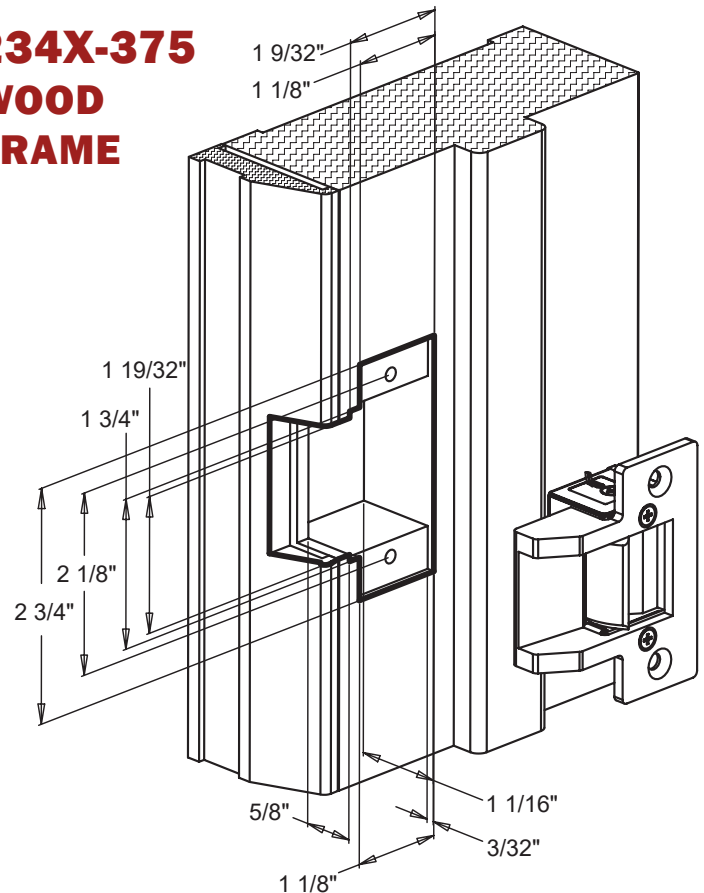


NOTE: USE 2 INCH LONG (OR LONGER) WOOD SCREWS FOR MOUNTING.

234X-375 & 234FX-375 TIMELY®/REDI®/ RACO®/IDP® FRAMES



234X-375 WOOD FRAME



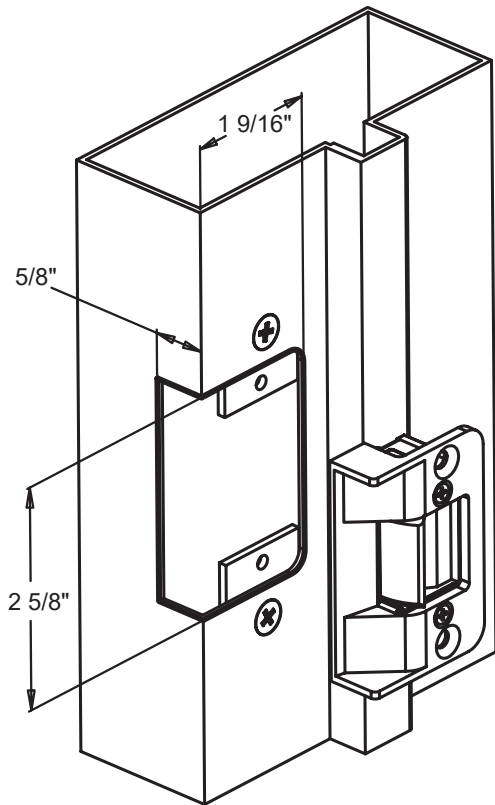
NOTE: USE 2 INCH LONG (OR LONGER) WOOD SCREWS FOR MOUNTING.



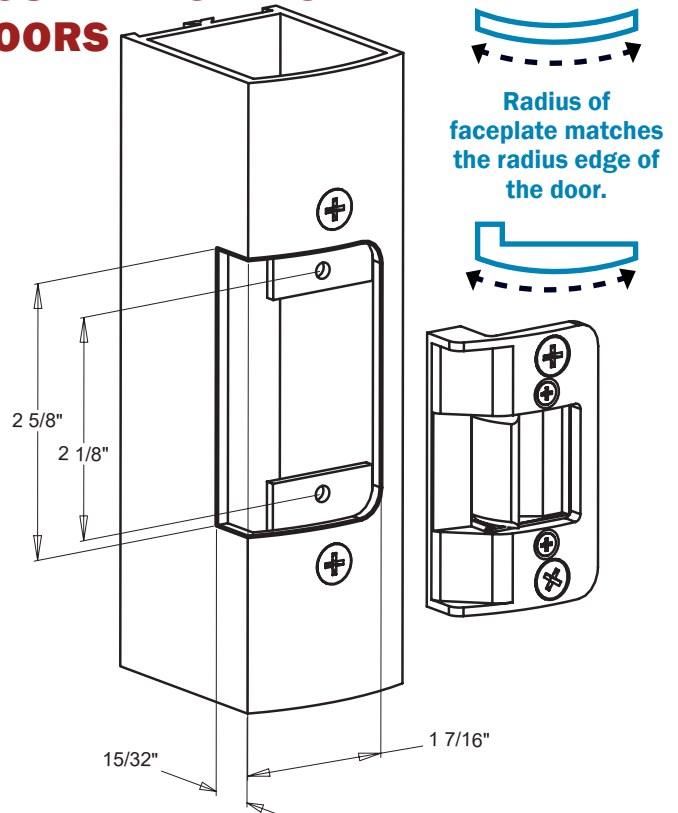
BUILT IN AMERICA
BASED IN AMERICA
BUY AMERICAN

FRAME PREPS THE 3000 SERIES

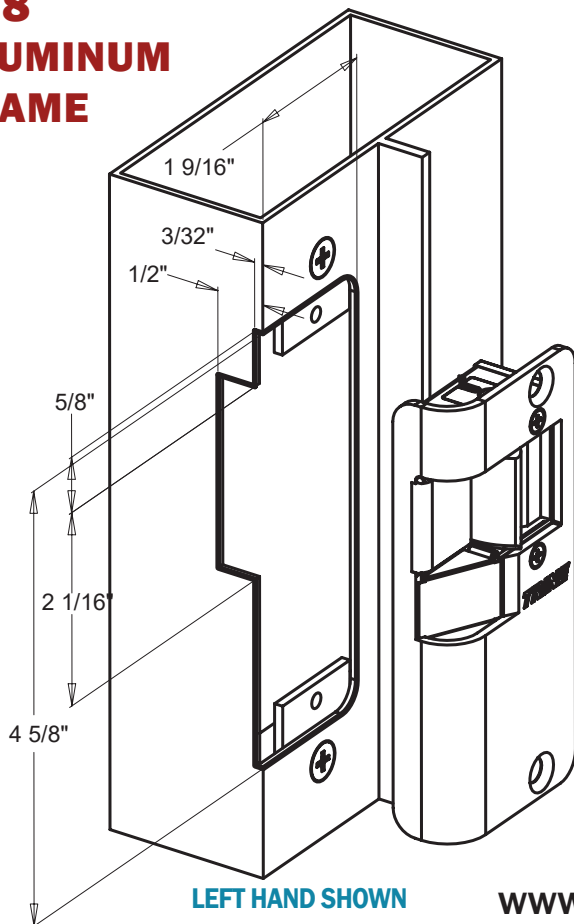
258 ALUMINUM FRAME



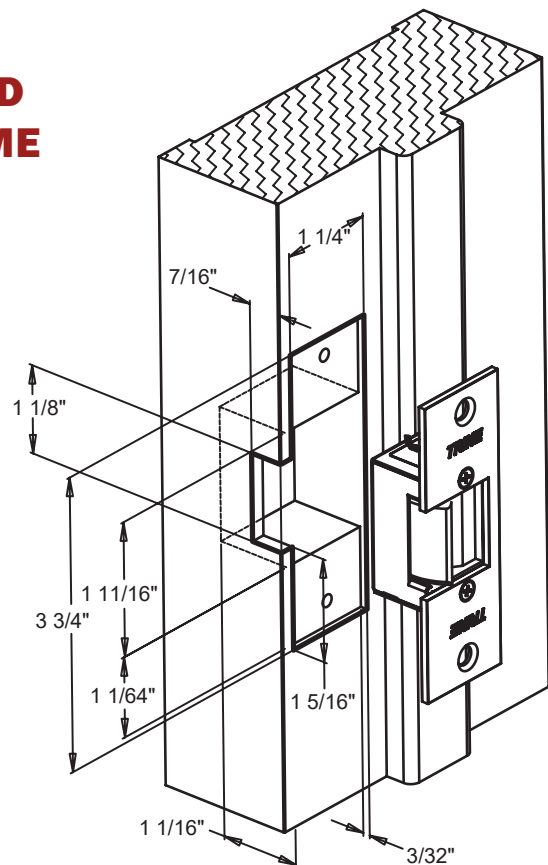
258RD ALUMINUM DOORS



458 ALUMINUM FRAME



334 WOOD FRAME

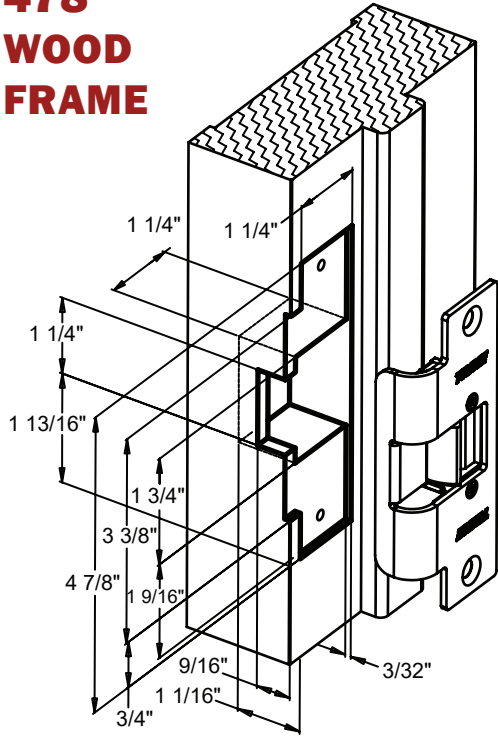


NOTE: USE 2 INCH LONG (OR LONGER) WOOD SCREWS FOR MOUNTING.

FRAME PREPS THE 3000 SERIES



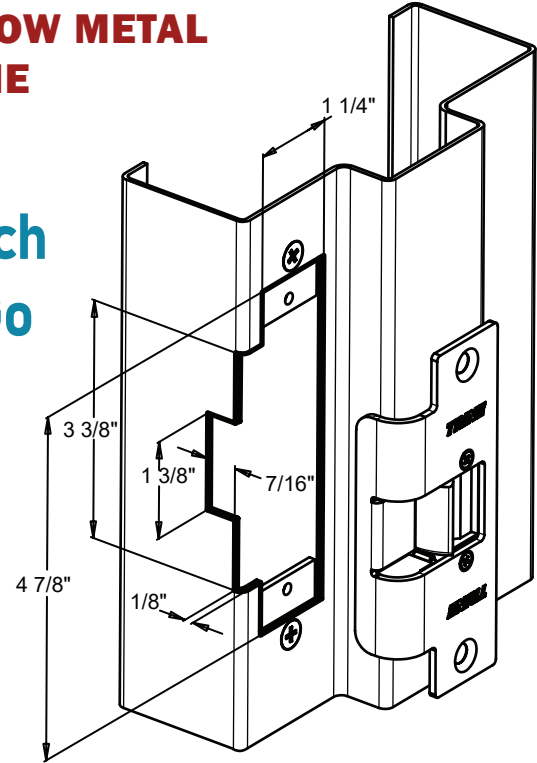
478 WOOD FRAME



NOTE: USE 2 INCH LONG (OR LONGER) WOOD SCREWS FOR MOUNTING.

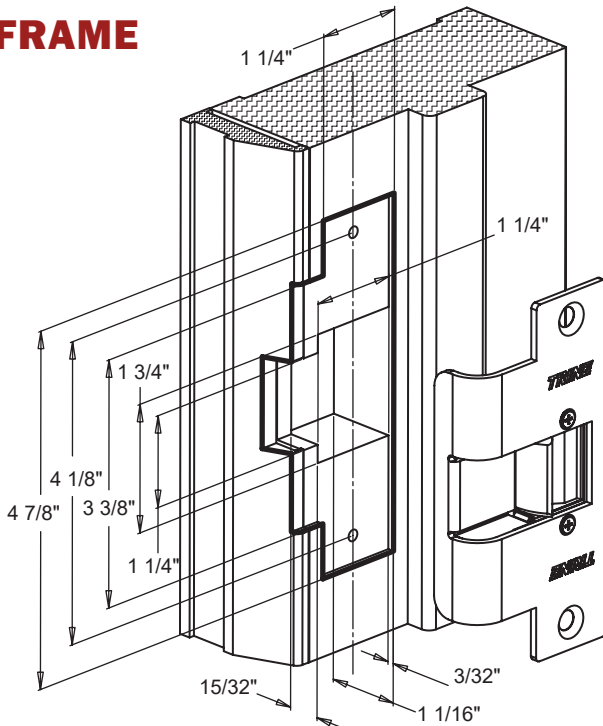
478 HOLLOW METAL FRAME

Notch & Go



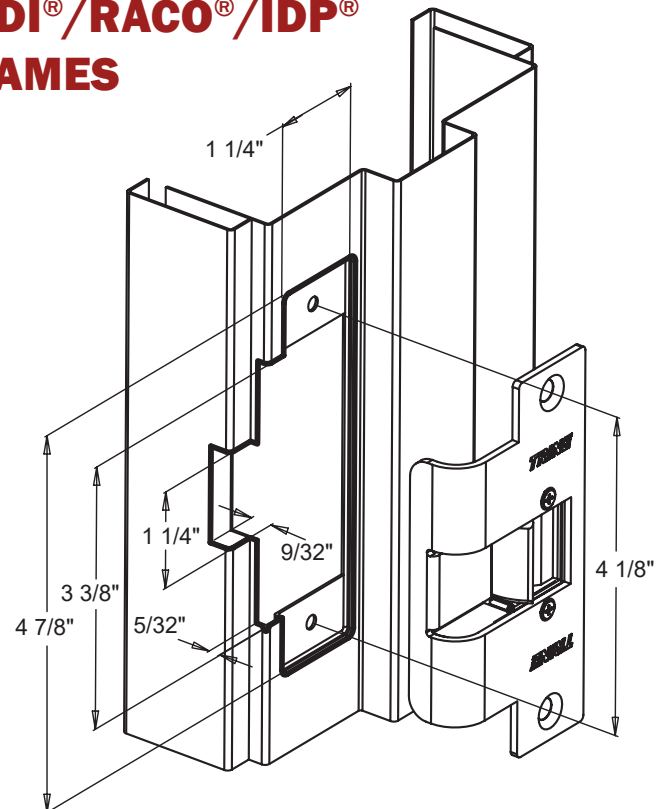
478X-375 WOOD FRAME

BEST LOOKING WOOD
INSTALLATION



NOTE: USE 2 INCH LONG (OR LONGER) WOOD SCREWS FOR MOUNTING.

478X-375 TIMELY®/ REDI®/RACO®/IDP® FRAMES



THE ONE BOX SOLUTION

FOR CYLINDRICAL AND MORTISE LOCKS

4100

WITHOUT DEADBOLTS
(CUT LESS!)



WITH DEADBOLTS



4100DB & 4100CDBM

**SINGLE LATCH - NIGHTLATCH ONLY
FUNCTION FROM THE 4100 SERIES**

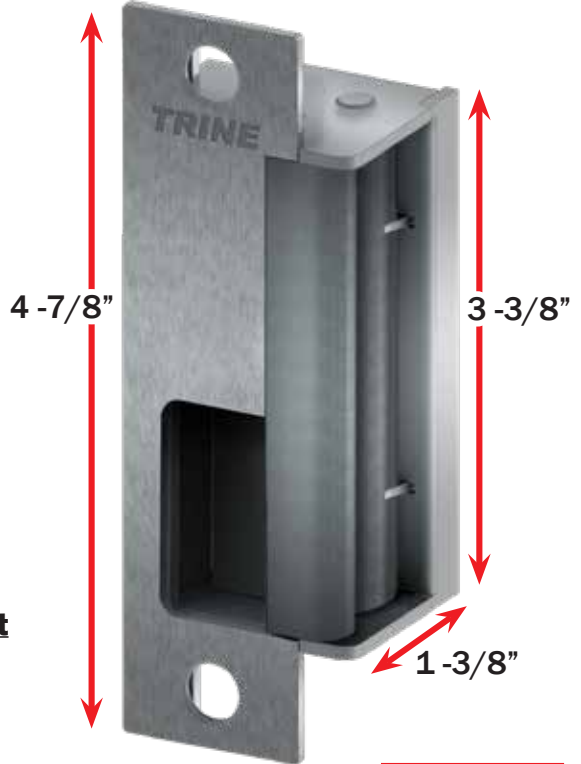
**SIMPLE TO USE, NO HANDING,
ALL THE SAME GREAT QUALITIES AS
THE 4100 ELECTRIC STRIKE**

THE ONE BOX SOLUTION

FOR CYLINDRICAL AND MORTISE LOCKS



4100



Dimensions on page 61.



Key Features:

Use with cylindrical locksets, mortise locks without dead bolts and mortise exit devices.

- 1 - 3/8" shallow backset allows the 4100 to be used in 2" face fire rated frames with 1/2" sheetrock ingress.
- **Flexible:** Always be prepared!
 - Four faceplates included
 - 12 & 24DC, 12-24 AC, Low Current Draw
 - One Trim Skirt (matching finish) which covers competitor cutouts
- **Strong:** 3,000 lbs. of Holding Force (factory tested)
- **Durable:** Exceeds 1,000,000 Life Cycles
- Works with the Schlage® L Series & Yale® 8700 Series **without** relocating mounting tabs.

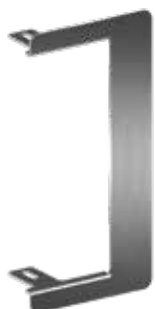


Standards:

- 3-hour fire rated – UL10C, Fire Tests of Door Assemblies.
- Listed for UL1034 Burglary Resistant Electric Locking Mechanism, Grade 1
- 294 (6th Edition) Listed
- Tested to Grade 1: ANSI/BHMA A156.5
- UBC 7-2, Uniform Building Code.
- CAN4 S104, Standard Method for Fire Tests of Door Assemblies.
- NFPA 252 - Issue: 1999/01/01 Standard Methods of Fire Tests of Door Assemblies.
- USPT Patented #US20110241361

NOTE: Fire listing is always void when using fail safe action.

Everything included.



Premium stainless steel trim skirt



www.trineonline.com

See the video!

trineonline.com/4100_electric_strike_video.php



Use your phone camera!

Need an Installation Tool?
See page 54



BUILT IN AMERICA
BASED IN AMERICA
BUY AMERICAN

THE ONE BOX SOLUTION
FOR CYLINDRICAL AND MORTISE LOCKS

Aesthetics Matter



The Premium stainless steel trim skirt cleans up the cut line.

Not worrying about a perfect cut on the face saves time and looks great. Since aesthetics matter, the premium trim skirt ALWAYS matches the finish on the faceplates and electric strike body.



Large gap left when replacing the competition.



The Trim Skirt fills in the gap.

Covers the gap to maintain the fire rating.

Cutting Matters

1 - 3/8" Low profile backset provides ease of installation. Why cut for a deadbolt 100% of the time when they are only used 5% of the time.



Faceplates, strike body, mounting screws, latch, and trim skirt all match the finish.

Electric Characteristics

| Voltage | Current/Amps | Ohms | Duty | Sound |
|-------------|--------------|------|-------------|--------|
| 12DC | 0.310 | 39 | Intm./Cont. | Silent |
| 24DC | 0.140 | 171 | Intm./Cont. | Silent |
| 12AC @ 60hz | 0.280 | 39 | Intm. | Buzz |
| 16AC @ 60hz | 0.380 | 39 | Intm. | Buzz |
| 24AC @ 60hz | 0.550 | 39 | Intm. | Buzz |

Power Matters

Low Current Draw
 .310 Amp at 12DC makes it very PoE Friendly

12 & 24DC :: 12 through 24AC
 All the low voltage flexibility you need.

No additional "pacs" required.



Finishes:

4100-32D (Satin Stainless Steel -- BHMA630)

Price:

\$599

The following finishes are:

- **4100-US4** (Satin Brass -- BHMA606)
- **4100-US10** (Satin Bronze -- BHMA612)

\$725

- **4100-US10B** (Dark Bronze -- BHMA613E)
- **4100-BLK** (Black Powder Coat)

\$710

- **4100-32** (Polished Stainless Steel -- BHMA629)
- **4100-US3** (Bright Brass -- BHMA605)

\$775

For Fail-safe action (locks with power) add "RS" to the item number. EX: **4100RS-32D**

RS price same as above.

NIGHTLATCH FUNCTION DEADBOLT STRIKE for MORTISE LOCKS

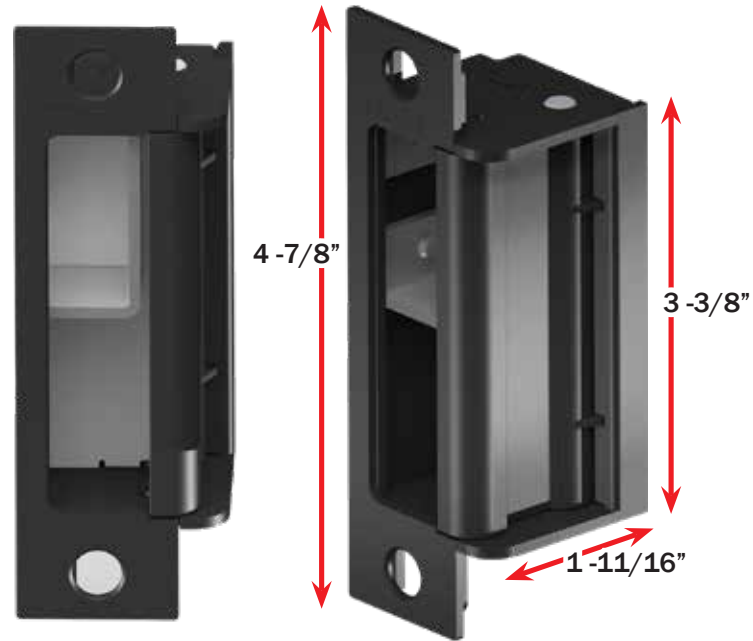


4100DB

Key Features:

For use on mortise locks with deadbolts.
Entry and night latch functionality included.

- Includes Four faceplates and nightlatch bracket.
- Use with mortise locks with dead bolts up to 1" projection.
- **Flexible:**
 - Four faceplates & trim skirt included
 - Removeable bracket included

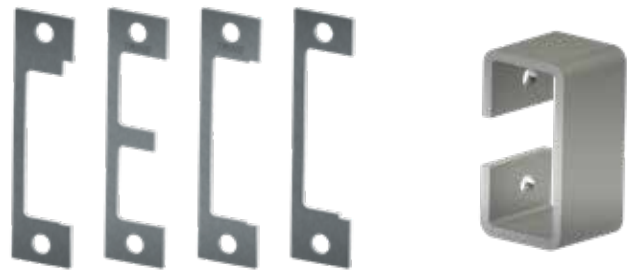


Standards:

- 3-hour fire rated – **UL10C**, Fire Tests of Door Assemblies.
- Listed for UL1034 Burglary Resistant Electric Locking Mechanism, Grade 1
- 294 (6th Edition) Listed
- Tested to Grade 1: ANSI/BHMA A156.5
- **UBC 7-2**, Uniform Building Code.
- **CAN4 S104**, Standard Method for Fire Tests of Door Assemblies.
- **NFPA 252** - Issue: 1999/01/01 Standard Methods of Fire Tests of Door Assemblies.
- USPT Patented #US20110241361



**Premium Trimskirt,
Four faceplates, and
deadbolt bracket included**



NOTE: Fire listing is always void when using fail safe action.

| Electric Characteristics | | | | |
|---------------------------------|--------------|------|-------------|--------|
| Voltage | Current/Amps | Ohms | Duty | Sound |
| 12DC | 0.310 | 39 | Intm./Cont. | Silent |
| 24DC | 0.140 | 171 | Intm./Cont. | Silent |
| 12AC @ 60hz | 0.280 | 39 | Intm. | Buzz |
| 16AC @ 60hz | 0.380 | 39 | Intm. | Buzz |
| 24AC @ 60hz | 0.550 | 39 | Intm. | Buzz |

No additional "pacs" required.

Finishes:

Price:

4100DB-32D (Satin Stainless Steel -- BHMA630) **\$614**

The following finishes are:

• **4100DB-US4** (Satin Brass -- BHMA606) **\$740**

• **4100DB-US10** (Satin Bronze -- BHMA612)

• **4100DB-US10B** (Dark Bronze -- BHMA613E) **\$725**

• **4100DB-BLK** (Black Powder Coat)

• **4100DB-32** (Polished Stainless Steel -- BHMA629) **\$790**

• **4100DB-US3** (Bright Brass -- BHMA605)

For Fail-safe action (locks with power) add "RS" **RS price same as above.**
to the item number. EX: **4100DBRS-32D**



BUILT IN AMERICA
BASED IN AMERICA
BUY AMERICAN

THE ONE BOX SOLUTION

FOR ALL CYLINDRICAL, MORTISE, & DEADBOLTS

4100CDBM



Always be prepared!

Key Features:

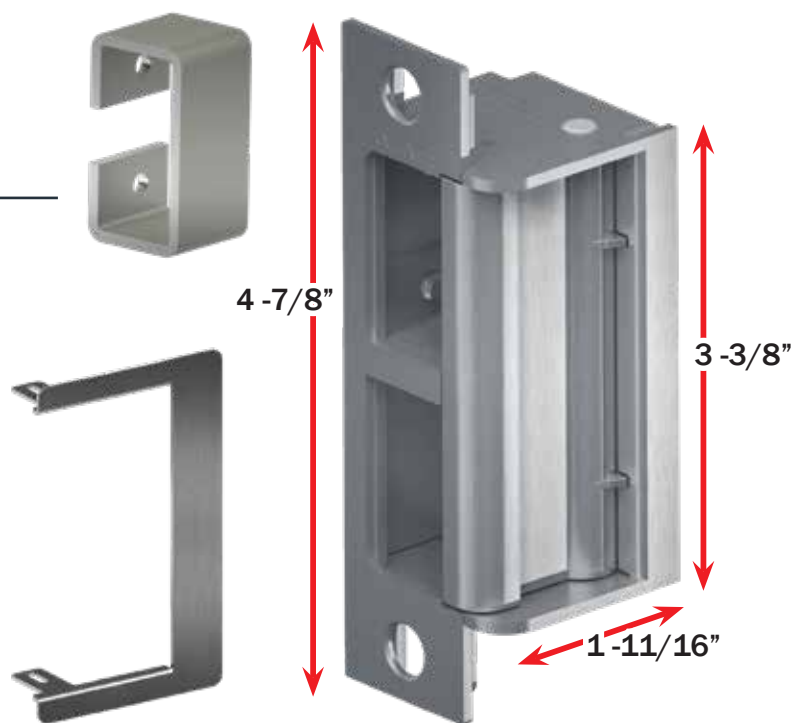
All the features of the 4100DB

Includes Eight faceplates, premium trimskirt, & nightlatch bracket.

Entry and night latch functionality included.

Standards:

- 3-hour fire rated – UL10C, Fire Tests of Door Assemblies.
- Listed for UL1034 Burglary Resistant Electric Locking Mechanism, Grade 1
- 294 (6th Edition) Listed
- Tested to Grade 1: ANSI/BHMA A156.5
- UBC 7-2, Uniform Building Code.
- CAN4 S104, Standard Method for Fire Tests of Door Assemblies.
- NFPA 252 - Issue: 1999/01/01 Standard Methods of Fire Tests of Door Assemblies.
- USPT Patented #US20110241361



NOTE: Fire listing is always void when using fail safe action.

| Electric Characteristics | | | | |
|---------------------------------|--------------|------|-------------|--------|
| Voltage | Current/Amps | Ohms | Duty | Sound |
| 12DC | 0.310 | 39 | Intm./Cont. | Silent |
| 24DC | 0.140 | 171 | Intm./Cont. | Silent |
| 12AC @ 60hz | 0.280 | 39 | Intm. | Buzz |
| 16AC @ 60hz | 0.380 | 39 | Intm. | Buzz |
| 24AC @ 60hz | 0.550 | 39 | Intm. | Buzz |

No additional “pacs” required.

Finishes:

Price:

- 4100CDBM-32D** (Satin Stainless Steel -- BHMA630) **\$665**
- The following finishes are:**
- **4100CDBM-US4** (Satin Brass -- BHMA606) **\$840**
 - **4100CDBM-US10** (Satin Bronze -- BHMA612) **\$815**
 - **4100CDBM-US10B** (Dark Bronze -- BHMA613E) **\$815**
 - **4100CDBM-BLK** (Black Powder Coat) **\$935**
 - **4100CDBM-32** (Polished Stainless Steel -- BHMA629) **\$935**
 - **4100CDBM-US3** (Bright Brass -- BHMA605) **\$935**

For Fail-safe action (locks with power) add “RS” to the item number. EX: 4100CDBMRS-32D **RS price same as above.**

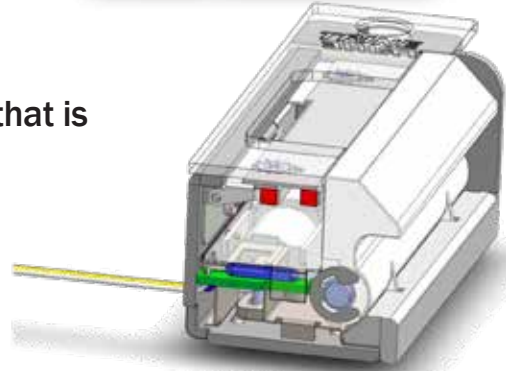
4100 Accessories



LBSM Ad On

The Trine LBSM makes use of a sealed magnetic reed switch that is moisture and environmentally resistant with a life cycle count in excess of 2 million cycles.

The microswitches used by our competitors fail from moisture... our's do not!



U.S. Patent No. 10,563,428

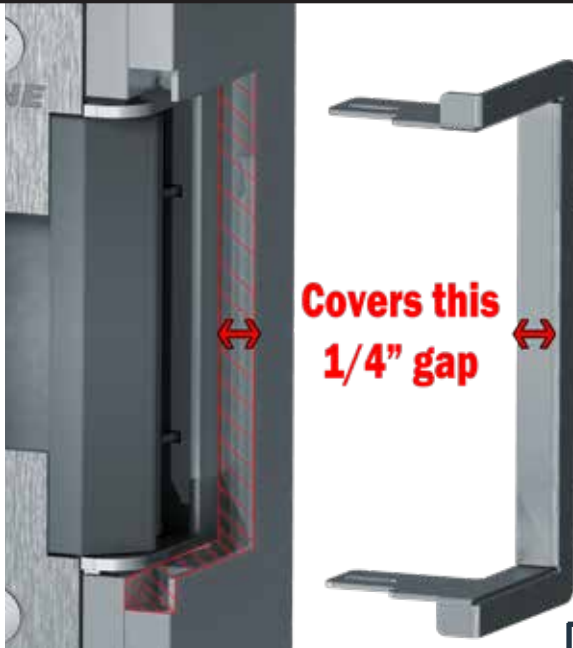
Stop replacing strikes due to low cost microswitches and start using the only reliable **Latchbolt Monitoring Solution.**

| LBSM CHARACTERISTICS: | | CONTACT RESISTANCE | 150 MILLIOHM |
|-----------------------|---------|--------------------|-------------------|
| CONTACT FORM: | C | STATIC: | |
| CONTACT RATING: | 10W | BREAKDOWN VOLTAGE: | 200 VDC |
| SWITCHING VOLTAGE: | 30V MAX | OPERATING TEMP: | -40° -130° C |
| | AC/DC | RATE: | 2,000,000+ CYCLES |
| SWITCHING CURRENT: | 0.5 A | | |

4100LBSM
Latchbolt & Strike Monitoring
Price: add \$120 to the list price

Important:

For Latchbolt monitoring on the 4100DB and 4100DBDL
SEE PAGE 8



Covers this 1/4" gap

4100RX-250

- 1/4" stainless steel ramp extensions.
- Perfect for Timely®, Redi®, Raco® IDP® frames or similar.
- Extension acts like a trim skirt to hide the cut line pocket.

For use with the 4100
(not with the 4100DB, 4100DBDL, or 4100CDBM)

41-4300-AK: Accessories Kit

- Mounting and latch screws
- 4100 & 4300 Latch shims
- Plug-in style wire connectors
- Sealed crimp connectors
- Torx Screws

Price: \$42

Piezo Buzzers:

- **BZ-12:** Audible buzzer for 12DC power -- or --
- **BZ-24:** Audible buzzer for 24DC power

DC VOLTAGE ONLY

Price: \$26

Additional Faceplates:

Finish:
32D (Satin Stainless - BHMA630)

The following finishes are:
32 (Polished Stainless - BHMA629)
US3 (Bright Brass - BHMA605)

The following finishes are:
US4 (Satin Brass - BHMA606)
US10 (Satin Bronze - BHMA612)
US10B (Dark Bronze - BHMA613E)

| | | | |
|---------------------|--------------------------------|-----------------------------|-----------------------------|
| CC9: 9" x 1-1/4" | CRD8: 7-15/16" x 1-7/16" | CRD7: 6-7/8" x 1-1/4" | CCRD: 4-7/8" x 1-1/4" |
|---------------------|--------------------------------|-----------------------------|-----------------------------|

| | | | |
|-------------|-------------|-------------|-------------|
| \$45 | \$36 | \$35 | \$28 |
| \$77 | \$69 | \$69 | \$65 |
| \$70 | \$62 | \$62 | \$55 |

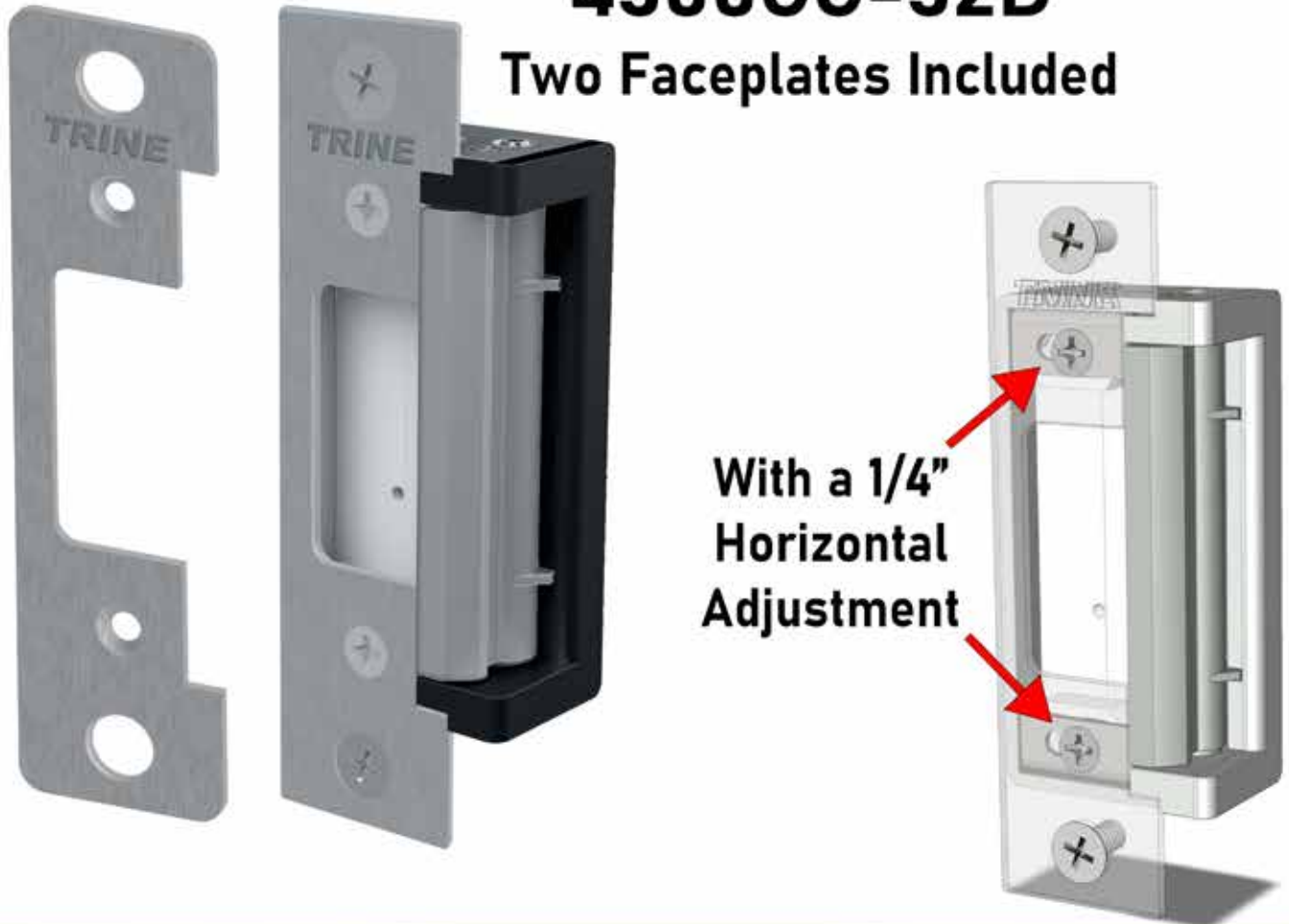
| Finishes: | Price: |
|----------------------------------------------------------|--------------|
| 4100RX-250-32D (Satin Stainless Steel -- BHMA630) | \$80 |
| US32 (Polished Stainless -- BHMA629) | \$112 |
| US3 (Bright Brass -- BHMA605) | |
| US10B (Dark Bronze Powder Coat -- BHMA613E) | |
| BLK (Black Powder Coat) *new* | \$107 |

THE ONE BOX SOLUTION

FOR CYLINDRICAL AND DEADLATCHES

4300CC-32D

Two Faceplates Included



With a 1/4"
Horizontal
Adjustment



4300-32D

Four Faceplates Included

THE BEST
LOW CURRENT DRAW
MOST FLEXIBLE
ELECTRIC STRIKE
ON THE MARKET

THE FLEXIBLE STRIKE

The 4300



Key Features:

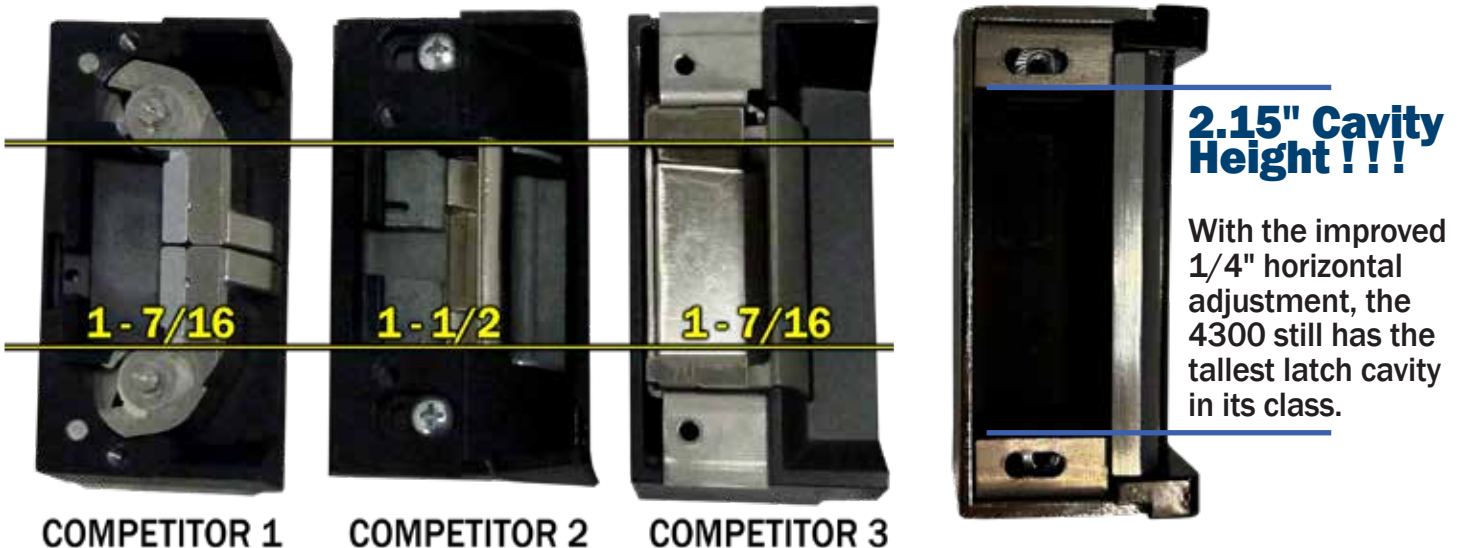
- The 4300 has a 1/4" adjustment for maximum flexibility.
- The 4300 **solves** problems auxiliary latch "pins" found on Adams Rite® locks.
- Tall Cavity **solves** door sag problems.
- 1 - 1/16" shallow backset **solves** frame depth problems.
- Up to four faceplates included
- 12 & 24DC, 12-24 AC
- Trim Skirt Included - color matched trimskirts **SOLVE** bad cuts.
- **Removable Fascia:** Change colors in the field to match your frame.

Standards:

- Tested to Grade 1 - A156.31-2007
- ETL Listed for UL1034 Burglary Resistant Electric Locking Mechanism
- ETL Listed for UL294 (6th edition)



FLEXIBLE CAVITY



2.15" Cavity Height !!!

With the improved 1/4" horizontal adjustment, the 4300 still has the tallest latch cavity in its class.

COMPETITOR 1

COMPETITOR 2

COMPETITOR 3



BUILT IN AMERICA
BASED IN AMERICA
BUY AMERICAN

THE ONE BOX SOLUTION
CYLINDRICAL AND DEADLATCHES

FLEXIBLE OPTIONS



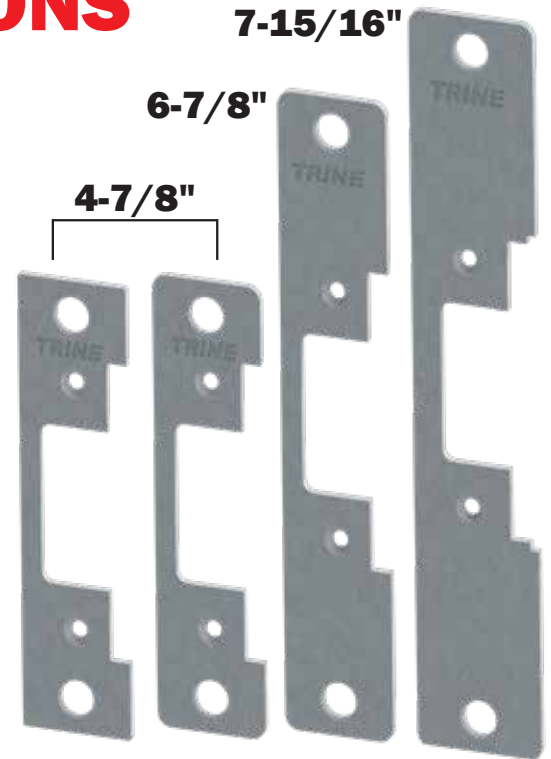
1/4" horizontal adjustment

- Easier to install
- More options in the field

THE BEST SOLUTION FOR ALUMINUM FRAMES

FOUR FACEPLATES IN THE 4300

FOUR FINISHES AVAILABLE



FLEXIBLE POWER

Electric Characteristics

| Voltage | Current/Amps | Ohms | Duty | Sound |
|-------------|--------------|------|-------------|--------|
| 12DC | 0.310 | 39 | Intm./Cont. | Silent |
| 24DC | 0.140 | 171 | Intm./Cont. | Silent |
| 12AC @ 60hz | 0.280 | 39 | Intm. | Buzz |
| 16AC @ 60hz | 0.380 | 39 | Intm. | Buzz |
| 24AC @ 60hz | 0.550 | 39 | Intm. | Buzz |

Power Matters

Low Current Draw
 .266 Amp at 12DC makes it very PoE Friendly

12 & 24DC :: 12 through 24AC
 All the low voltage flexibility you need.



- | | | | |
|-------------------|---------------------------------------|---------------|--------------|
| 4300-32D: | Stainless Steel Faceplates with Black | Price: | \$248 |
| 4300-ALUM: | Aluminum Faceplates & Fascia | | \$274 |
| 4300-BLK: | Black Faceplates & Fascia | | \$274 |
| 4300-DKBZ: | Dark Bronze Faceplates & Fascia | | \$274 |

Add "RS" for Fail-safe model (ex: 4300RS-32D)

CK System

- | | | |
|-----------------|------------------------------|--------------------|
| CK-ALUM: | Aluminum Fascia/Trimskirt | Price: \$36 |
| CK-BLK: | Black Fascia/Trimskirt | |
| CK-DKBZ: | Dark Bronze Fascia/Trimskirt | |

CK-PK: This pack includes 2 Fascia & Trimskirt finish (except black)

Price: \$85

Latchbolt Monitoring

- Patented Weather resistant switch system
- Lasts millions of cycles



THE COMPETITORS INFERIOR MICROSWITCHES (low life cycles/not water resistant)



Item Numbers: Price:
 Add "LB" to model number example; 4300LB-32D **\$90**

4300 electric strike dimensions on page 61.

Trim Skirt Included in each 4300 box

Color matches the finish.



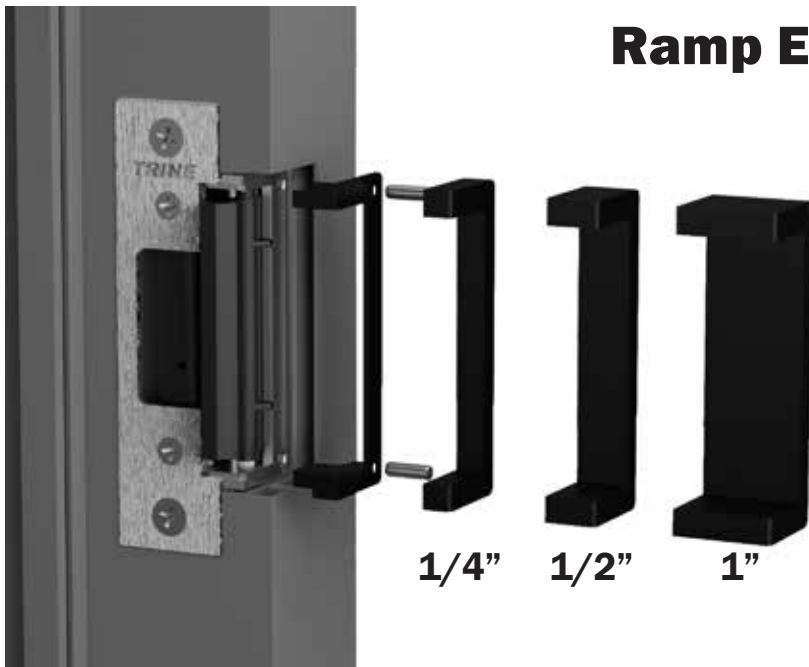
41-4300-AK: Accessories Kit

- Standard and Torx® screws
- 4100 & 4300 Latch shims
- Plug-in style wire connectors
- Sealed crimp connectors
- Torx Screws

Price: \$40

Ramp Extensions

- 3 different sizes available 1/4", 1/2", and 1"
- Order individual sizes.



Item Numbers: Price:
 4300RX-25 \$60
 4300RX-50 \$65
 4300RX-100 \$70



BUILT IN AMERICA
BASED IN AMERICA
BUY AMERICAN

THE ONE BOX SOLUTION
CYLINDRICAL AND DEADLATCHES

4300CC-32D

BEST OPTION FOR THE 4300 SERIES - TRY ONE TODAY

Key Features:

- Two 4-7/8" faceplates (as shown)
- Tall Cavity solves door sag problems. Tallest latch in its class.
- All the features of the regular 4300 - for an even better price. (does not contain the long faceplates)

1/4" Horizontal Adjustment



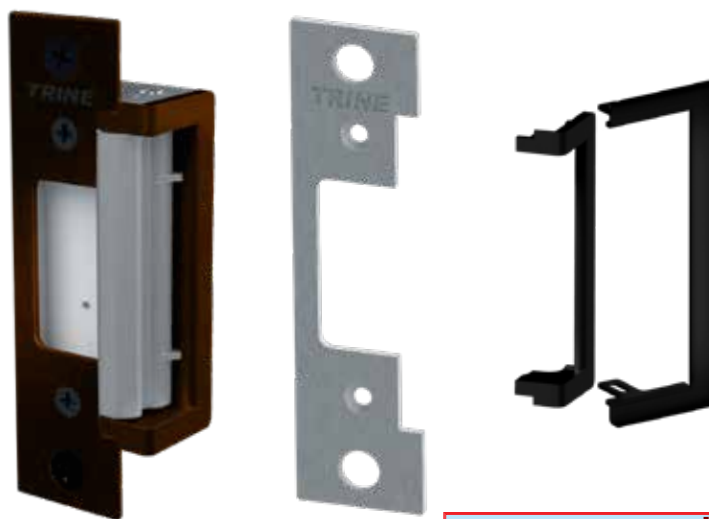
| | | | |
|---------------------|---------------------------------------|---------------|-------|
| 4300CC-32D: | Stainless Steel Faceplates with Black | Price: | \$228 |
| 4300CC-ALUM: | Aluminum Faceplates & Fascia | | \$248 |
| 4300CC-BLK: | Black Faceplates & Fascia | | \$248 |
| 4300CC-DKBZ: | Dark Bronze Faceplates & Fascia | | \$248 |

Add "RS" for Fail-safe model (ex: 4300CCRS-32D)

The 4300CC-DKBZ-32D

Key Features:

- Two finish options in one box means you're ready for most frame types.
- Solves door sag problems. Tallest latch in its class.
- All the features of the 4300CC but with color options.



ALL ITEMS SHOWN ARE INCLUDED

| | |
|------------------------------------------|--------------|
| Price: | \$250 |
| 4300CC-DKBZ-32D - OR - 4300CCRD-DKBZ-32D | |

THE ONE BOX SOLUTION

FOR RIM PANIC EXIT DEVICES

4800F



4850



EVERYDAY LOW CURRENT DRAW

**2 COMPETITOR
STRIKES IN 1**

**FIRE RATED
BUT PRICED WITHOUT IT**

THE 1/2" SOLUTION


**3 SPACERS INCLUDED
6 THICKNESSES CREATED**



BUILT IN AMERICA
BASED IN AMERICA
BUY AMERICAN

THE FIRE RATED
3/4" RIM PANIC SOLUTION

4800F

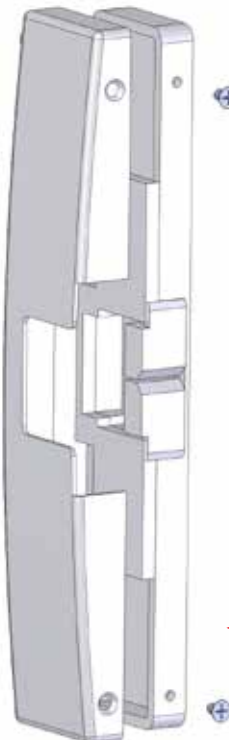
- For use with surface exit devices with up to 1" throw, in wood or metal door frames.
- Comes with Trine's Patented 4-Pin Anchoring System for **strength** and stability. (See page 40 for details)
- Cavity is completely open – which means the 4800 allows for an incremental depth up to a 1" throw – **Competitor back plates do not allow for this versatility.**
- Enhanced 12-24 DC Low Current Draw 
- Contains a one piece locking mechanism with one solenoid.
Less parts mean less problems.
- Fail-safe/Fail-secure field selectable. *WH fire listing is void when using fail safe action.*

Dimensions on page 61.



Standards:

- Class A, 3 Hour Single door / frame configuration
- UL10C, Fire Tests of Door Assemblies
- UBC 7-2, Uniform Building Code
- CAN4 S104, Standard Method for Fire Tests of Door Assemblies NFPA 252
- Issue: 1999/01/01 Standard Methods of Fire Tests of Door Assemblies*
- Factory Tested to Grade 1 - A156.31-2007



See Page 39-40 for options, page 54 for installation tool.

Solid cast housing!
 ← **Not** cost saving covers like the competition.

| Electric Characteristics | | | **Enhanced** | | | |
|--------------------------|--------|-------|---------------------|--------------|-------|--------|
| Current Draw | | | Connector | | | |
| Voltage: | (Amps) | Ohms: | Duty: | Wire Colors: | Used: | Sound: |
| 12DC | 0.218 | 45 | Intrm./Cont | Red & Blue | 12 DC | Silent |
| 16DC | 0.290 | 45 | Intrm./Cont. | Red & Blue | 12 DC | Silent |
| 24DC | 0.195 | 92 | Intrm./Cont. | Brown & Blue | 24 DC | Silent |

| Finishes: | Price: |
|-----------------------------------------------------------|--------------|
| 4800F-32D (Satin Stainless Steel -- BHMA630) | \$579 |
| 4800F-DKBZ (Dark Bronze Powder Coated -- BHMA613E) | |
| 4800F-BLK (Black Powder Coated) | \$635 |
| 4800F-US4 (Satin Brass -- BHMA606) | |
| 4800F-US10 (Satin Bronze -- BHMA612) | \$689 |
| 4800F-32 (Polished Stainless Steel -- BHMA629) | |
| 4800F-US3 (Bright Brass -- BHMA605) | \$699 |

THE ONE BOX SOLUTION

FOR RIM PANIC EXIT DEVICES



Lowest Current Draw available today - by far!



4850

1/2" 1/4" 1/16"

- Cavity is completely open – which means the 4850 allows for an incremental depth up to a 1" throw - **Competitor back plates do not allow for this versatility.**
- For use with surface mounted rim exit devices with up to a 1" throw.
- Comes with Trine's **Patented 6-Pin Anchoring System** for strength and stability. (See page 40 for details)
- Contains a one piece locking mechanism with one solenoid – **less parts mean less problems.**
- Fail-safe/Fail-secure field selectable.
- Factory Tested to BHMA Grade 1 - A156.31-2007



Dimensions on page 61.

| Finishes: | Price: |
|----------------------------------------------------------|--------------|
| 4850-32D (Satin Stainless Steel -- BHMA630) | \$579 |
| 4850-DKBZ (Dark Bronze Powder Coated -- BHMA613E) | \$635 |
| 4850-BLK (Black Powder Coated) | |
| 4850-US4 (Satin Brass -- BHMA606) | \$689 |
| 4850-US10 (Satin Bronze -- BHMA612) | |
| 4850-32 (Polished Stainless Steel -- BHMA629) | \$699 |
| 4850-US3 (Bright Brass -- BHMA605) | |

3 Spacers included, 6 Thicknesses created, 1 Box Solution Provided.

Need an Installation Tool?
See page 54

See Page 39-40 for options.

| Electric Characteristics | | | | Connector | | |
|--------------------------|---------------------|-------|-------------|--------------|-------|--------|
| Voltage: | Current Draw (Amps) | Ohms: | Duty: | Wire Colors: | Used: | Sound: |
| 12DC | 0.218 | 45 | Intm./Cont | Red & Blue | 12 DC | Silent |
| 16DC | 0.290 | 45 | Intm./Cont. | Red & Blue | 12 DC | Silent |
| 24DC | 0.195 | 92 | Intm./Cont. | Brown & Blue | 24 DC | Silent |

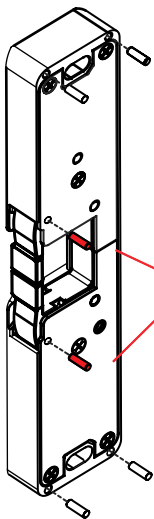


BUILT IN AMERICA
BASED IN AMERICA
BUY AMERICAN

THE 'BOLT' STRIKE SOLUTION
& THE LATCHBOLT MONITORING SOLUTION

4801 - "Bolt" Strike

- For use with the Yale Squarebolt® or Corbin Russwin Securebolt™ in new or replacement installations with wood or metal door frames.
- Use with surface mounted rim device with up to 1" throw.
- Cavity Opening -
 Height: 1 17/32"
 Width: 1 5/32"
- 6-Pin Anchor system provided to handle the toughest installations.
- Same electrical characteristics as the 4800F - see page 37.



***Must Install
 2 middle
 pins on the
 4801/4801LB**

**Active Latchbolt Monitoring
 (LB Option)**



- IR optical sensor
- Single pole, double throw, form "C" Relay, rated at 1-amp at 12-24 AC-DC
- N/O and N/C relay contacts
- Module power source 12-24 DC
- Current consumption is:
 12v: standby 12.7ma
 activate 22.8ma
 24v: standby 19.4ma
 activate 34.4ma
- All other features are the same as the base model.

| Finishes: | Price: |
|----------------------------------------------------------|--------------|
| 4801-32D (Satin Stainless Steel -- BHMA630) | \$645 |
| 4801-DKBZ (Dark Bronze Powder Coated -- BHMA613E) | |
| 4801-BLK (Black Powder Coated) | \$655 |
| 4801-US4 (Satin Brass -- BHMA606) | |
| 4801-US10 (Satin Bronze -- BHMA612) | \$725 |
| 4801-32 (Polished Stainless Steel -- BHMA629) | |
| 4801-US3 (Bright Brass -- BHMA605) | \$749 |

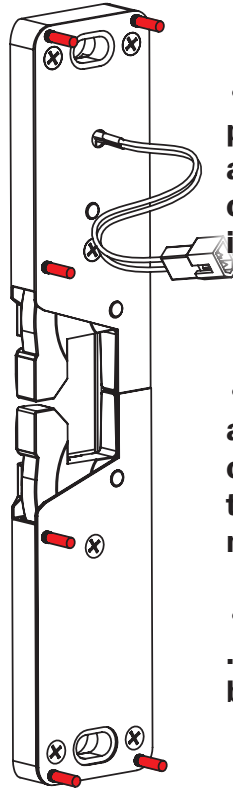
| | |
|---------------------------------------------|-----------------------------------|
| Add "LB" to any 4800 series electric strike | Price: add \$119.00 |
| Example: - 4800FLB-32D | to the price of the base unit. |

4800 SERIES ACCESSORIES & PATENTED ANCHORING PIN SYSTEM



PATENTED ANCHORING SYSTEM

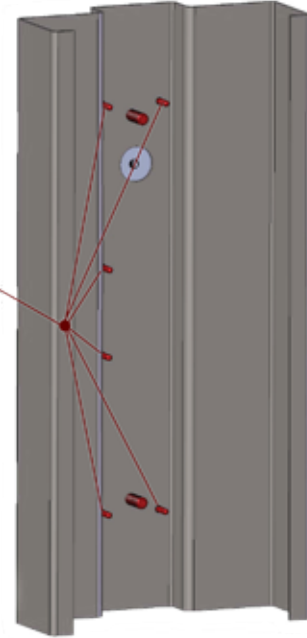
- 4 or 6 Pin system included in every 4800 series strike.
- Prevents strike from shifting on the frame for the most secure installation.
- Two center pins on 4850 suggested for installs in high traffic locations.



• The Anchor System provides up to six additional points of contact for the toughest installations.

• The 4850 can have a total 8 points of connection between the frame and strike for maximum strength.

• Anchoring pins are .128" diameter. A #30 drill bit is recommended.



Need an Installation Tool?
See page 54

****THE CONFIGURATION IS YOUR CHOICE****

4800 Series Accessories

MWH-5

REMOVABLE MULLION WIRE HARNESS FOR 4800 SERIES ELECTRIC STRIKES

Contains:

- (1) 5' Wire for mullion with male/female connectors.
- (1) Male connector & (1) Female connector.
- (1) Mullion cap, & (1) Wire adhesive.
- (4) Wire caps
- (1) Wire tie

Price:

\$75

4850-AK: ACCESSORIES KIT

Contains:

- (1) Fail safe plunger with spring & (1) Fail safe cam.
- (6) Anchoring pins.
- (2) 1/4-20 x 1" UH Cap socket mounting screws
- (1) Wire connector
- (2) Wire caps

\$37

4800-AK: ACCESSORIES KIT

Contains:

- (1) Fail safe plunger with spring
- (4) Anchoring pins.
- (2) 1/4-20 x 1" UH Cap socket mounting screws
- (1) Wire connector
- (2) Wire caps

\$37

4800-SS: TWO 1/16" SPACER PLATES IN 32D

\$38

4800-SS-DKBZ: TWO 1/16" SPACER IN DARK BRONZE 613E

\$47

Fits all 4800 Series Electric Strikes

4850-SS: 1/4" SPACER PLATE IN 32D

\$57

4850-SS-DKBZ: 1/4" SPACER IN DARK BRONZE 613E

\$61

Fits all 4800 Series Electric Strikes

THE ONE BOX SOLUTION

FOR ALL GATE AND OUTDOOR INSTALLATIONS



- FIRE RATED
- BURGLARY RATED
- OUTDOOR RATED
- 294 RATED



EN400CMRP

THE GATE "KIT"
FOR ELECTRIC STRIKES

THE ONLY ELECTRIC STRIKE THAT CAN CHANGE LATCHES
TO WORK WITH CYLINDRICAL, MORTISE, AND RIM PANICS

- Contains ONLY eight total parts.
- Only 1 moving part in the locking mechanism.
- All stainless steel construction.

- ✦ **Superior Strength** - 1,500+ lbs factory tested.
- ✦ **Superior Life** - 1,000,000+ cycles.
- ✦ **Superior Application** - Outdoor rating allows the strike to be used where the competition can not.

Key Features

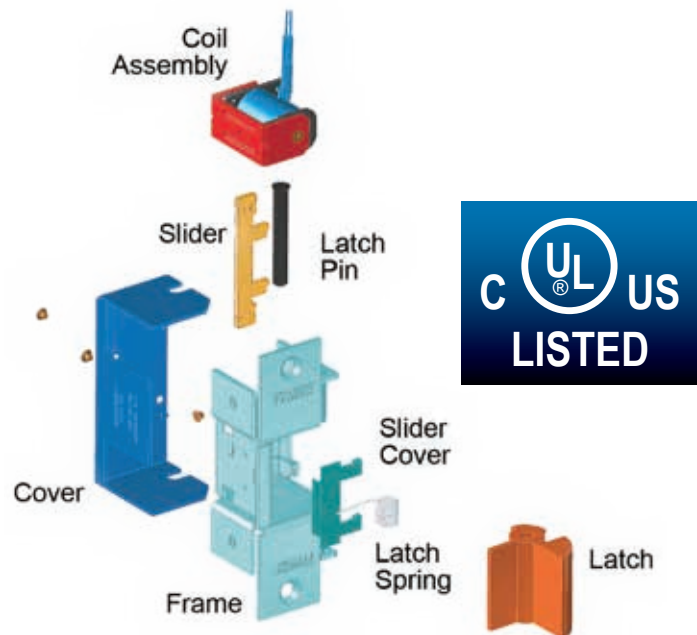
- Continuous Duty runs very cool (DC only)
No extra Smart Pacs® needed
- Durability of 1,000,000+ life cycles
- Factory tested to 1,500+ lbs
- **Fail-secure/Fail-safe is field reversible on DC units**
- Left and Right handing is field reversible
- Low Current Draw (DC Models*)
Voltage & Amp draw is the same across all EN Models



Standards



- Listed 10C - Fire-rated
- Class A, 3-hour, single swing door
(except on 400RP, 800 & 850 models)
- UL 1034 burglary-resistant listed and suitable for outdoor use
- UL 294 (6th Edition) listed
- Tested to Grade 1 - A156.31-2007
- NYC MEA 79-01-E



HOW TO ORDER

Please provide the following information to ensure you receive the CORRECT electric strike.

| | Model # | -- Voltage | -- Finish | -- Handing |
|----------|---------|------------|-----------|------------|
| example: | 400 | 12DC | 32D | RH |
| example: | 800 | 24AC | 10B | LH |

*Fail Safe Request: Please add "RS" to item#
example: 400RS-12DC-32D-RH

Add \$15 to list price of base model.

Electric Characteristics

| Voltage | Amps | Ohms | Duty | Sound |
|---------|------|-------|-------------|--------|
| 12AC | 0.70 | 4.5 | Intm. | Buzz |
| 24AC | 0.37 | 18.0 | Intm. | Buzz |
| 12DC | 0.28 | 43.0 | Intm./Cont. | Silent |
| 24DC | 0.15 | 164.0 | Intm./Cont. | Silent |

Wire Lead Color Codes

| Voltage | Wire Colors |
|---------|--------------------------------------------------|
| 12AC | Blue & Orange/White 24AC - Blue & Black/White |
| 12DC | 2 - Orange/White 24DC - 2 - Black/White |

Need an Installation Tool?
See page 54



BUILT IN AMERICA
BASED IN AMERICA
BUY AMERICAN

THE OUTDOOR SOLUTION
 CYLINDRICAL, MORTISE, & RIM PANIC EXIT DEVICES

EN400CMRP

THE ONLY ELECTRIC STRIKE SOLUTION ON THE MARKET THAT CAN HANDLE CYLINDRICAL, MORTISE, DEADLATCHES, AND RIM PANICS

The Flexible 400CMRP Includes:

- A complete strike in the box (see price section below).
- An additional strike latch that allows for use with mortise, cylindrical locks, and rim panic devices.
- The EN400-Gatebox - mount the strike anywhere.
- The EN-24DC-CA - change the voltage from 12 to 24DC
- Fail safe/Fail secure field reversible.
- Always Low Current Draw



EN400-Gatebox

Install the EN400CMRP anywhere on the frame or post.

Steel gatebox is unfinished



Aluminum gatebox available (see pg 47)

Finishes:

400CMRP-32D (Satin Stainless Steel -- BHMA630)

400RPCM-32D (Satin Stainless Steel -- BHMA630)

400CMRP-BLK (Black Powder Coated)

400RPCM-BLK (Black Powder Coated)

Price:

\$637

\$683

Kits cannot be ordered with with latchbolt (LB) monitoring. Order from page 46/47 with a gatebox to match. **CMRP** comes as 400-12DC-32D-RH; CM (cylindrical/mortise) latch with 12DC coil are in the box. **RPCM** comes as 400RP-24DC-32D-RH; CM (rim panic) latch and 24DC coil are in the box.

EN400



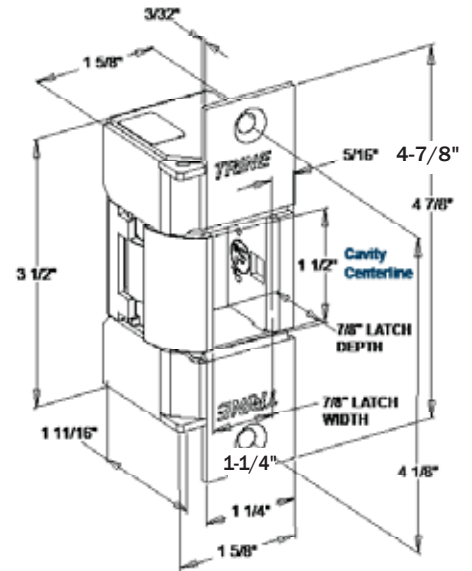
- Use with cylindrical and mortise Locks.
- Perfect for exterior doors and gates.
- Latch Shim Kit provided for horizontal cavity adjustment.
- Field reversible handing.
Order a specific hand to save time.

Refer to pg 42 for "How to Order"

Finishes: Price:

| | |
|--------------------------------------------------------|--------------|
| 400-32D (Satin Stainless Steel -- BHMA630) | \$489 |
| 400-BLK (Black Powder Coat) | \$535 |
| 400-US10B (Dark Bronze Powder Coat -- BHMA613E) | |
| 400-US3 (Bright Brass -- BHMA605) | |
| 400-US4 (Satin Brass -- BHMA606) | \$555 |
| 400-US10 (Satin Bronze -- BHMA612) | |
| 400-32 (Polished Stainless -- BHMA629) | |

| | | | |
|-------------------------------------------------------|-------------|-----------------------------------------------|--------------|
| EN400-Gatebox (Steel Gatebox, *unfinished*) | \$64 | EN400-Gatebox-AL (Aluminum Gatebox) | \$110 |
|-------------------------------------------------------|-------------|-----------------------------------------------|--------------|



EN400RP

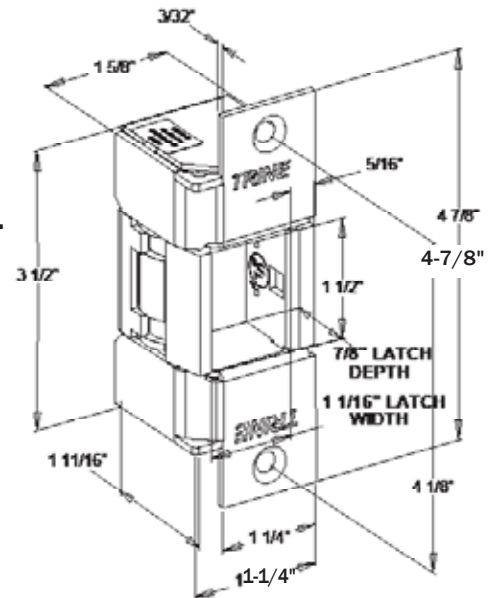


- Use with rim panic devices
- Perfect for exterior doors and gates.
- Field reversible handing.
Order a specific hand to save time.
- The Outdoor Rim Panic Solution

Finishes: Price:

| | |
|----------------------------------------------------------|--------------|
| 400RP-32D (Satin Stainless Steel -- BHMA630) | \$489 |
| 400RP-BLK (Black Powder Coat) | \$535 |
| 400RP-US10B (Dark Bronze Powder Coat -- BHMA613E) | |
| 400RP-US3 (Bright Brass -- BHMA605) | |
| 400RP-US4 (Satin Brass -- BHMA606) | \$555 |
| 400RP-US10 (Satin Bronze -- BHMA612) | |
| 400RP-32 (Polished Stainless -- BHMA629) | |

| | | | |
|-------------------------------------------------------|-------------|-----------------------------------------------|--------------|
| EN400-Gatebox (Steel Gatebox, *unfinished*) | \$64 | EN400-Gatebox-AL (Aluminum Gatebox) | \$110 |
|-------------------------------------------------------|-------------|-----------------------------------------------|--------------|



Refer to pg 42 for "How to Order"

(Not UL 10C listed)



BUILT IN AMERICA
BASED IN AMERICA
BUY AMERICAN

OUTDOOR ELECTRIC STRIKE SOLUTIONS

EN SERIES

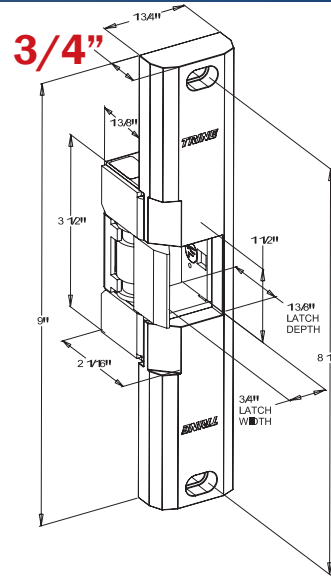


**EN800 – GREAT FOR
 OUTDOOR GATES**

For new or replacement installations in wood or metal single door jambs. Use with surface mounted rim exit devices with up to 1" throw. **3/4" thick face plate.**

(Not UL 10C Listed)

Works with Rim Panic Exit Devices



Finishes: Price:

800-32D \$580
 (Satin Stainless Steel – BHMA630)

The following finishes are:

- **800-US3 \$640**
 (Bright Brass – BHMA605)
- **800-US4**
 (Satin Brass – BHMA606)
- **800-US10**
 (Satin Bronze – BHMA612)
- **800-US10B**
 (Dark Bronze Powder Coat – BHMA613E)
- **800-32**
 (Polished Stainless – BHMA629)

**Refer to
 pg 42 for
 "How to Order"**

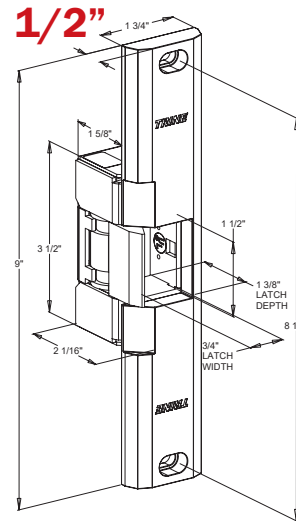


**EN850 – GREAT FOR
 OUTDOOR GATES**

For new or replacement installations in wood or metal single door jambs. Use with surface mounted rim exit devices with up to 1" throw. **1/2" thick face plate.**

(Not UL 10C Listed)

Works with Rim Panic Exit Devices.



Finishes: Price:

850-32D \$599
 (Satin Stainless Steel – BHMA630)

The following finishes are:

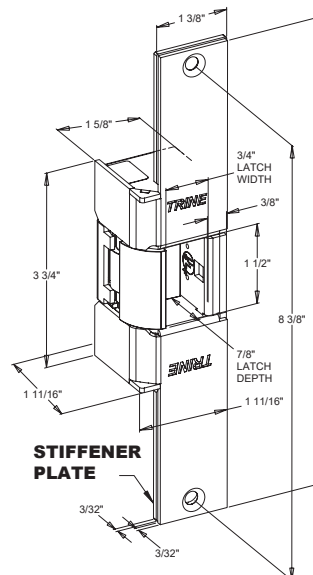
- **850-US3 \$676**
 (Bright Brass – BHMA605)
- **850-US4**
 (Satin Brass – BHMA606)
- **850-US10**
 (Satin Bronze – BHMA612)
- **850-US10B**
 (Dark Bronze Powder Coat – BHMA613E)
- **850-32**
 (Polished Stainless – BHMA629)



**EN950 – FITS FOLGER ADAM®
 310-2 CUTOUT**

For new or replacement installations in metal or wood jambs. Use with mortise exit devices, mortise locks without dead bolts and cylindrical locksets with up to 7/8" throw. Based on 1/8" door gap.

Latch Shim Kit provided for horizontal cavity adjustment.



Finishes: Price:

950-32D \$582
 (Satin Stainless Steel – BHMA630)

The following finishes are:

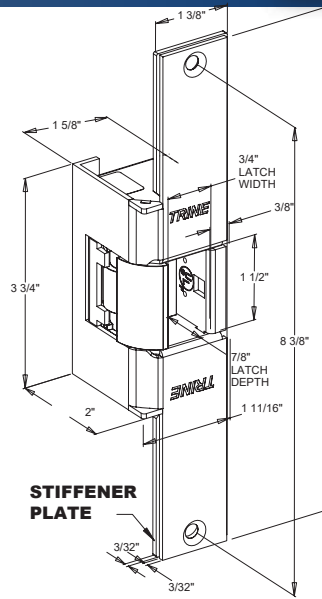
- **950-US3 \$655**
 (Bright Brass – BHMA605)
- **950-US4**
 (Satin Brass – BHMA606)
- **950-US10**
 (Satin Bronze – BHMA612)
- **950-US10B**
 (Dark Bronze Powder Coat – BHMA613E)
- **950-32**
 (Polished Stainless – BHMA629)



**EN960 – FITS FOLGER ADAM®
310-2 3/4" CUTOUT**

For new or replacement installations in metal or wood jambs. Use with mortise exit devices, mortise locks without dead bolts and cylindrical locksets with up to 7/8" throw. Based on 1/8" door gap.

Latch Shim Kit provided for horizontal cavity adjustment.



Finishes: **Price:**

960-32D **\$650**
(Satin Stainless Steel – BHMA630)

The following finishes are:

- **960-US3** **\$710**
(Bright Brass – BHMA605)
- **960-US4**
(Satin Brass – BHMA606)
- **960-US10**
(Satin Bronze – BHMA612)
- **960-US10B**
(Dark Bronze Powder Coat – BHMA613E)
- **960-32**
(Polished Stainless – BHMA629)

TOUGH-AS-NAILS-GO-ANYWHERE-EN-SERIES

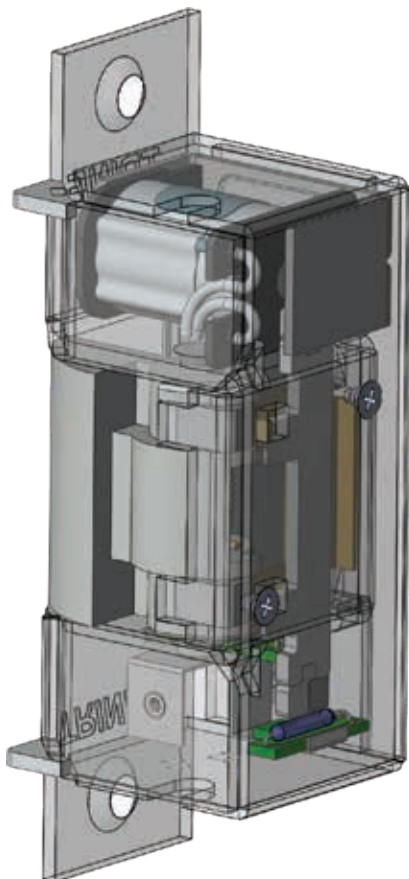
Patented outdoor rated latchbolt strike mechanism monitoring.

The LBSM for the 400, 950, 960

- Latchbolt monitoring utilizes a sealed magnetic reed switch and monitors if the lockset latch is engaged with the strike.
- Strike mechanism monitoring detects whether the strike is in the locked or unlocked position

LBM CHARACTERISTICS:

| | |
|--------------------|--------------------|
| CONTACT FORM: | C |
| CONTACT RATING: | 10W |
| SWITCHING VOLTAGE: | 30V max AC/DC |
| SWITCHING CURRENT: | 0.5 amps |
| CONTACT RESISTANCE | |
| STATIC: | 150 milliohms (mΩ) |
| BREAKDOWN VOLTAGE: | 200 VDC |
| OPERATING TEMP: | -40° - 130° C |
| RATE: | 2,000,000+ cycles |



Price:

Add "LBSM" to model 400, 950, or 960




Example: **400LBSM-12DC-32D**
add \$119
to the price of the base unit.

Cannot add to 400CMRP/RPCM kits

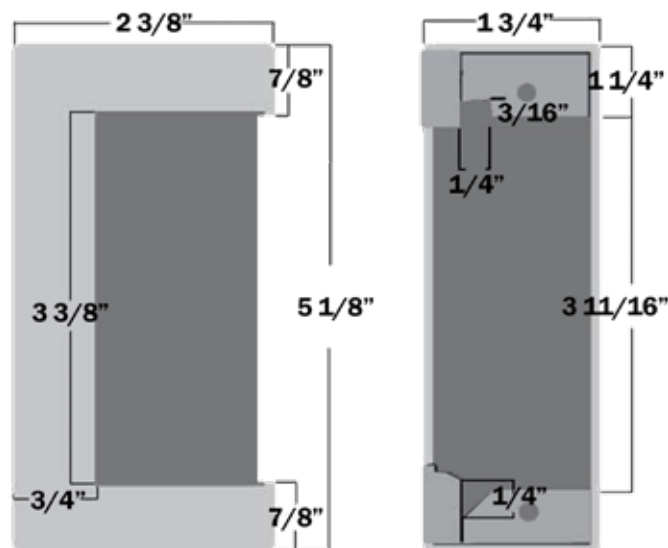


BUILT IN AMERICA
BASED IN AMERICA
BUY AMERICAN

EN SERIES ACCESSORIES

| MODEL | DESCRIPTION | Price: |
|---------------------------------------------------------------------------------------------------|---------------------------------------------------------------------------------------------------------------------------------------------------------------------------------------------------------------------------------------------|--------|
| LC-200  | External unit that operates on 12 through 24 DC input and provides inductive kickback and surge protection. When used with the EN Series, 12DC must be selected and the LC200 must be located within 15' of the electric strike. | \$74 |
| EN-CA-12DC | Coil Assembly (Orange/White Wire Leads) | \$55 |
| EN-CA-24DC | Coil Assembly (Black/White Wire Leads) | \$55 |
| EN-CA-12AC | Coil Assembly (Blue/Orange & White Wire Leads) | \$55 |
| EN-CA-24AC | Coil Assembly (Blue/Black & White Wire Leads) | \$55 |
| TRS | (2) Tamper-Resistant Torx® #12-24 Screws | \$12 |
| EN-TS | Trim Skirt (Not for use with 950 & 960) | \$34 |
| EN-LSK | EN Latch Shim Kit for horizontal cavity adjustment. | \$22 |
| ESK-1 | EN Service Kit: <ul style="list-style-type: none"> (1) Latch spring (2) PFH 12-24x1" mounting screws & (2) PFH 6-32 x 1/8" cover screws (2) Wire nut caps & (1) assembly pin and instruction sheet | \$22 |
| BZ-12  | Buzzer for 12 DC operation | \$26 |
| BZ-24 | Buzzer for 24 DC operation | \$26 |
| EN400-Gatebox  | The weldable gate box solution for use with the EN400 & EN400RP Outdoor rated electric strikes. (Steel gatebox is <i>*Not Finished*</i>). | \$64 |
| EN400-Gatebox-AL | The aluminum gate box solution for use with the EN400 & 400RP. | \$110 |

**EN400-Gatebox &
EN400-Gatebox-AL
Dimensions**



Light Commercial Electric Strikes



00 Legacy Line

also

Made in America



Light Commercial Electric Strikes

00 Series

FEATURES

- Durability - 500,000 Life Cycles
- Holding Force - 1000 lbs
- Only 1 Moving Part Locking Mechanism
- Non-Handed Operation
- Heavy Duty Latch Spring
- Fail Secure Standard (Unlocks with Power)

| Voltage | Amps | Ohms | Sound | Duty | Wire Color |
|----------------|---------|-------|--------|--------------|------------|
| 8-16VAC/4-6VDC | 1.3-2.7 | 1.4 | Buzz | Intermittent | Blck |
| 12VDC | 0.40 | 30.0 | Silent | Continuous | Red/Wht |
| 24VAC | 1.40 | 4.7 | Buzz | Intermittent | Red |
| 24VDC | 0.19 | 125.0 | Silent | Continuous | Blck/Wht |



001

For use in new or replacement installations in wood and metal jambs. For use with locksets having up to 5/8" throw, based on 1/8" door gap.

Face Plate 5-7/8" x 1-1/4" – Mortise Backset 1-9/16" – Cavity Depth 1/2" – Cavity Width 9/16" – Cavity Height 1-1/2"

Price:

| | |
|------------------------------------------------|-----------------|
| 001 (Brass Powder Coated) | \$64 |
| 001C (Satin Chrome – BHMA651) | \$71 |
| RS (Fail Safe) - For DC Models only. | add \$20 |



002

For use in new or replacement installations in wood and metal jambs. Auxiliary lever ramps for use with locksets which contain dead locking levers. Use with locksets having up to 5/8" throw, based on 1/8" door gap.

Face Plate 7-15/16" x 1-7/16" – Auxiliary Ramp 2-7/8" – Mortise Backset 1-9/16" – Cavity Depth 1/2" – Cavity Width 9/16" – Cavity Height 1-1/2"

Price:

| | |
|------------------------------------------------|-----------------|
| 002 (Aluminum Powder Coated) | \$102 |
| 002DB (Dark Bronze Powder Coated) | \$107 |
| RS (Fail Safe) - For DC Models only. | add \$20 |



004

For new or replacement installations in wood jambs. Use with locksets with individual dead bolts. **Dead bolts cannot be released electrically.** Use with locksets having up to 5/8" throw, based on 1/8" door gap.

Face Plate 6-1/4" x 1-3/8" – Dead bolt Knockouts Top & Bottom 1-11/16" x 9/16" – Mortise Backset 2-3/4" – Cavity Depth 1/2" – Cavity Width 9/16" – Cavity Height 1-1/2"

Price:

| | |
|------------------------------------------------|-----------------|
| 004 (Brass Powder Coated) | \$117 |
| 004C (Satin Chrome – BHMA651) | \$129 |
| 004DB (Dark Bronze Powder Coated) | \$124 |
| RS (Fail Safe) - For DC Models only. | add \$20 |

00 Series



005

For use in replacement installations in wood jambs and iron gates. Use with bored cylindrical locksets having up to 5/8" throw, based on 1/8" door gap.

Face Plate 3-1/2" x 1-3/8" – Mortise Backset 2-3/4" – Cavity Depth 1/2" – Cavity Width 9/16" – Cavity Height 1-1/2"

Need to upgrade to something stronger?
- Try the HD005 (below)

Price:

| | |
|------------------------------------------------|-----------------|
| 005 (Brass Powder Coated) | \$78 |
| 005C (Satin Chrome – BHMA651) | \$87 |
| RS (Fail Safe) - For DC Models only. | add \$20 |



HD005

Screwed-on Faceplate and reinforced Latch Pin provide additional strength for **HEAVY DUTY** installations.

For use in replacement installations in wood jambs and iron gates. Use with bored cylindrical locksets having up to 5/8" throw, based on 1/8" door gap.

Face Plate 3-1/2" x 1-3/8" – Mortise Backset 2-3/4" – Cavity Depth 1/2" – Cavity Width 9/16" – Cavity Height 1-1/2"

Price:

| | |
|------------------------------------------------|-----------------|
| HD005 (Brass Powder Coated) | \$103 |
| HD005C (Satin Chrome – BHMA651) | \$110 |
| RS (Fail Safe) - For DC Models only. | add \$20 |



S005

For use in replacement installations in wood jambs and iron gates. Use with bored cylindrical locksets having up to 3/4" throw, based on 1/8" door gap.

Face Plate 3-1/2" x 1-3/8" – Mortise Backset 2-7/8" – Cavity Depth 5/8" – Cavity Width 23/32" – Cavity Height 1-1/2"

Price:

| | |
|------------------------------------------------|-----------------|
| S005 (Brass Powder Coated) | \$92 |
| S005C (Satin Chrome – BHMA651) | \$102 |
| RS (Fail Safe) - For DC Models only. | add \$20 |



006

For surface mount installations on metal or wood jambs, for in swinging applications. Use with locksets or night latches having up to 5/8" throw, based on 1/8" door gap. When mounted on a pair of doors, strike is mounted to the inactive leaf.

Case 2-1/8" x 1-3/16" – Surface Mounted – Die Cast Housing – Cavity Depth 1/2" – Cavity Width 1/2" – Cavity Height 1-3/8"

Price:

| | |
|------------------------------------------------|-----------------|
| 006 (Brass Powder Coated) | \$127 |
| RS (Fail Safe) - For DC Models only. | add \$20 |



007

For use in new or replacement installations in wood jambs. Use with locksets having up to 3/4" throw, based on 1/8" door gap.

Face Plate 4-7/8" x 1-1/4" – Mortise Backset 2-7/8" – Cavity Depth 5/8" – Cavity Width 3/4" – Cavity Height 1-1/2"

Price:

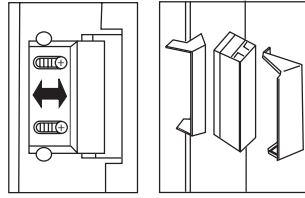
| | |
|------------------------------------------------|-----------------|
| 007 (Brass Powder Coated) | \$121 |
| 007C (Satin Chrome – BHMA651) | \$127 |
| RS (Fail Safe) - For DC Models only. | add \$20 |

Light Commercial Electric Strikes

The Adjustable 2000 Series

FEATURES

- Allows adjustment for wider latch bolts & poorly aligned doors & locksets
- **1/8" Horizontal Latch Adjustment**
- Releases Under Slight Door Preload
- Life Cycles - 500,000
- **Holding Force - 900 lbs**
- Solid Cast Latch - Chrome Plated
- Non-Handed Operation



| Voltage | Current/Amps | Ohms | Sound | Duty |
|----------|--------------|-------|--------|---------|
| 6-14VAC | 0.44 - 1.10 | 8.5 | Buzz | Intrmt. |
| 6-14VDC | 0.70 - 1.60 | 8.5 | Silent | Intrmt. |
| 16-24VAC | 0.22 - 0.33 | 50.0 | Buzz | Intrmt. |
| 16-24VDC | 0.32 - 0.47 | 50.0 | Silent | Intrmt. |
| 12VDC | 0.200 | 60.0 | Silent | Cont. |
| 24VDC | 0.12 | 120.0 | Silent | Cont. |

2001

For use in new or replacement wood or metal jamb installations with locksets having up to 5/8" throw, based on 1/8" door gap.

Face Plate 5-7/8" x 1-1/4" – Narrow Style Face Plate – Mortise Backset 1-9/16" – Cavity Depth 9/16" – Cavity Width 5/8" – Cavity Height 1-11/16"

NOT AVAILABLE IN FAIL-SAFE FUNCTION. SEE 001 ON PAGE 49

Price:

| | |
|------------------------------------------|--------------|
| 2001 (Brass Powder Coated) | \$115 |
| 2001C (Satin Chrome – BHMA651) | \$121 |

2002

For use in new or replacement, aluminum or hollow, metal jamb installations. Auxiliary lever ramps for use with locksets containing dead-locking levers. Use with latch bolts having up to 5/8" throw, based on 1/8" door gap.

Face Plate 7-15/16" x 1-7/16" – Auxiliary Ramp Height 2-7/8" – Mortise Backset 1-9/16" – Cavity Depth 9/16" – Cavity Width 5/8" – Cavity Height 1-11/16"

Price:

| | |
|------------------------------------------------|-----------------|
| 2002 (Aluminum Powder Coated) | \$133 |
| 2002DB (Dark Bronze Powder Coated) | \$138 |
| RS (Fail Safe) - For DC Models only. | add \$20 |

2007

For use in new or replacement installations in metal jambs. Fits a standard 4-7/8" ANSI prep with little jamb modification. Use with locksets having up to 5/8" throw, based on 1/8" door gap.

Steel Face Plate 4-7/8" x 1-1/4" – Narrow Style Face Plate – Mortise Backset 1-9/16" – Cavity Depth 9/16" – Cavity Width 5/8" – Cavity Height 1-11/16"

Price:

| | |
|------------------------------------------------|-----------------|
| 2007 (Brass Powder Coated) | \$143 |
| 2007C (Satin Chrome – BHMA651) | \$148 |
| 2007DB (Dark Bronze Powder Coated) | \$148 |
| RS (Fail Safe) - For DC Models only. | add \$20 |

2009

For use in new or replacement installations in metal jambs. Centerline of the latch is 3/8" below ANSI centerline for offset applications. Fits a standard 4-7/8" ANSI prep with little jamb modification. Use with locksets having up to 5/8" throw, based on 1/8" door gap.

Steel Face Plate 4-7/8" x 1-1/4" – Narrow Style Face Plate – Mortise Backset 1-9/16" – Cavity Depth 9/16" – Cavity Width 5/8" – Cavity Height 1-11/16"

Price:

| | |
|------------------------------------------------|-----------------|
| 2009 (Brass Powder Coated) | \$150 |
| 2009C (Satin Chrome – BHMA651) | \$156 |
| 2009DB (Dark Bronze Powder Coated) | \$156 |
| RS (Fail Safe) - For DC Models only. | add \$20 |

The Adjustable 2000 Series



2012

For use in new or replacement,, aluminum or hollow, metal jamb installations with locksets having up to 5/8" throw, based on 1/8" door gap.

Steel Face Plate 4-7/8" x 1-1/4" – Auxiliary Ramp 3-3/8" – Mortise Backset 1-9/16" – Cavity Depth 9/16" – Cavity Width 5/8" – Cavity Height 1-11/16"

Price:

| | |
|------------------------------------------------|-----------------|
| 2012 (Brass Powder Coated) | \$157 |
| 2012C (Satin Chrome – BHMA651) | \$162 |
| 2012DB (Dark Bronze Powder Coated) | \$162 |
| RS (Fail Safe) - For DC Models only. | add \$20 |

The 1000 Series

FEATURES

- Releases Under Slight Door Preload
- Tall latch cavity for easier door alignment.
- Life Cycles - 500,000
- Holding Force - 1000 lbs
- Non-Handed Operation

| | <u>Voltage</u> | <u>Current/Amps</u> | <u>Ohms</u> | <u>Sound</u> | <u>Duty</u> |
|--|----------------|---------------------|-------------|--------------|--------------|
| | 6-14VAC | 0.495 - 1.09 | 8.5 | Buzz | Intermittent |
| | 6-14VDC | 0.650 - 1.24 | 8.5 | Silent | Intermittent |
| | 16-24VAC | 0.270 - 0.48 | 50.0 | Buzz | Intermittent |
| | 16-24VDC | 0.380 - 0.61 | 50.0 | Silent | Intermittent |

1001-2

For use in new or replacement installations in wood and metal jambs. For use with locksets having up to 5/8" throw, based on 1/8" door gap.

Steel Face Plate 5-7/8" x 1-1/4" – Narrow Style Face Plate – Mortise Backset 1-1/2" – Cavity Depth 9/16" – Cavity Width 9/16" – Cavity Height 1-11/16"

Price:

| | |
|--------------------------------------------|-------------|
| 1001-2B (Brass Powder Coated) | \$90 |
| 1001-2C (Satin Chrome – BHMA651) | \$98 |

1002-2

For use in new or replacement installations in wood and metal jambs. Auxiliary lever ramps for use with locksets which contain dead locking levers. For use with locksets having up to 5/8" throw, based on 1/8" door gap.

Face Plate 7-15/16" x 1-7/16" – Auxiliary Ramp 2-7/8" Height – Mortise Backset 1-1/2" – Cavity Depth 9/16" – Cavity Width 9/16" – Cavity Height 1-11/16"

Price:

| | |
|------------------------------------------------|--------------|
| 1002-2A (Aluminum Powder Coated) | \$118 |
| 1002-2DB (Dark Bronze Powder Coated) | \$123 |

ACCESSORIES

4850-ITL

**INSTALL 4800 SERIES
STRIKES FASTER**



ANSI-ITL

**INSTALL 2-3/4" &
4-7/8" ELECTRIC
STRIKES FASTER.**



018-4/017TDC-4

**UTILIZES ROLLING CODE
WITH OVER 4+ BILLION CODES
AND IN A VARIETY OF COLORS.**



4850-ITL

“Feel” the door work with the strike on the frame... then drill.

- 4850-ITL installation tool has magnets installed which allows it to attach to steel frames, so you can:
 - Adjust and center the strike before ever drilling a hole eliminating any mistakes.
 - Increase your installation speed on every job.
- 1/4” Spacer included, so the tool becomes 3/4” thick, and is also magnetized. (screws on side anchor the spacer to the tool)
- Included custom center punch makes precise marks on the frame for drilling. Marks all anchor pin holes, mounting screws, power, and optional LB sensor.
- Patented

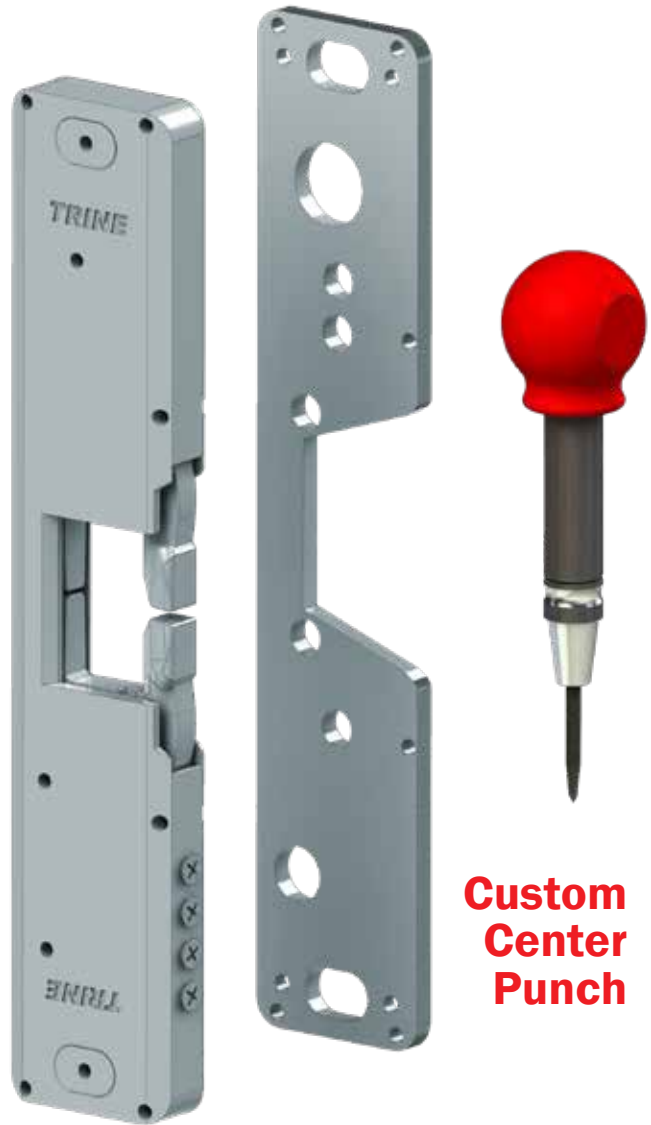
Price:
4850-ITL **\$450**



To really see the **POWER** of the 4850-ITL watch our video...

<https://www.trineonline.com/4850itl.php>

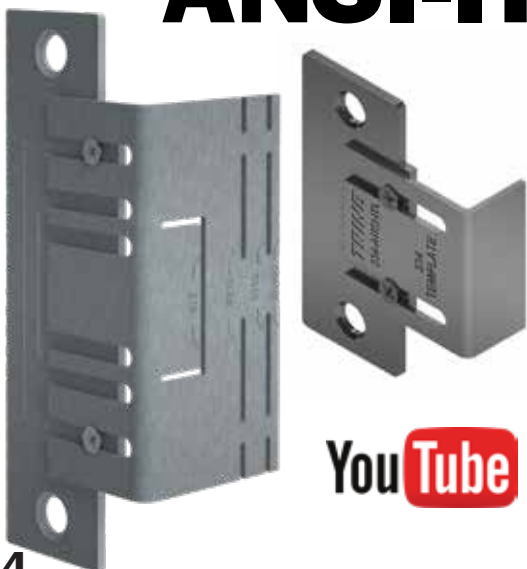
Or search “4850ITL” on **You Tube**



Custom Center Punch

ANSI-ITL

A comprehensive installation tool for our Premium 2-3/4” and 4-7/8” ANSI electric strikes



- The ANSI-ITL installation tool was designed to allow you to easily install these popular strikes:

| | | | | |
|---------|-----------|-----------|-------------|-----------|
| -234 | -234X-375 | -323478LC | -323478F-LC | -4100 |
| -4100DB | -4100DBDL | -4300 | -478 | -478X-375 |
| | | | | -EN400 |
- Screw directly into the pre-existing tabs and mark.
- Carbide tip scribe included
- Adjustability allows for use with Timely®/Redi®/Raco®/IDP® style frames.

You Tube



See the **ANSI-ITL video** on Youtube or our website.

https://www.trineonline.com/ansi_itl.php

ANSI-ITL Price:
\$89

www.trineonline.com

Accessories

Signal Kits & Transformers

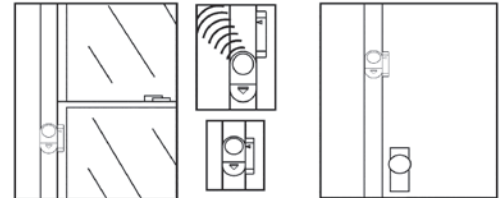


215 – WINDOW/DOOR ENTRY/EXIT SIGNAL KIT

- N/O magnetic contact switch activates alarm
- User can set for Chime or 105db alarm sound
- On/Off switch
- No wiring
- (3) L1154 batteries (included)
- Contacts provided with mounting tape

Price:

215 \$16



598 –CLAMP ON TYPE/TRI VOLT (AC)

- Equipped with convenient screw-bracket mounting clamp for standard 1/2" knockouts
- 120 volt primary AC
- 2-15/16"D x 2-7/32"H x 2-11/32"W 1lb 6oz

598 Electric Characteristics:

8VAC – 20VA – 2.50 AMPS
 16VAC – 30VA – 1.88 AMPS
 24VAC – 30VA – 1.25 AMPS

Price:

598 \$36

599 \$36

599 – (2) – CLAMP ON TYPE (AC)

- Equipped with convenient screw-bracket mounting clamp for standard 1/2" knockouts
- 120 volt primary AC
- Electric Characteristics: 2-15/16"D x 2-3/16"H x 2-11/32"W 1lb 6oz
 24VAC – 40VA – 1.65 AMPS



5204 – PLUG IN TYPE (AC)

- 120 volt primary AC
- Electric Characteristics: 2"D x 3"H x 2-1/2"W 7oz
 12VAC – 20VA – 1.667 AMPS

Price:

5204 \$31



5205 – PLUG IN TYPE/TRI VOLT (AC)

- 120 volt primary AC
- 2"D x 3"H x 2-1/2"W 7oz

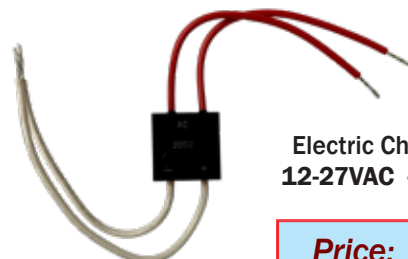
5205 Electric Characteristics:

8VAC – 10VA – 1.25 AMPS
 16VAC – 10VA – 0.62 AMPS
 24VAC – 20VA – 0.83 AMPS

Price: \$36

SR1 – SILICON RECTIFIER (SR-1)

- For converting AC voltage to DC voltage
- For AC power supplies up to 27 volt AC 1 amp.
- Size 1" x 1/2" x 1"



Electric Characteristics:
 12-27VAC – 1.00 AMPS

Price: \$30

Wireless Controller & Transmitter



017TDC-4 – WIRELESS CONTROLLER

UTILIZES ROLLING CODE

- 500' Range
- 2 Channel receiver and transmitter
- Independently programmable A & B channel.
- 4, 8, 16 second delay or alternate action trigger
- Dry contact relay rated up to 30V @ 5 amps
- Single push button program erase (for security)
- Screw terminal connections
- Up to 8 transmitters per one receiver.
- FCC-IC approved.



Price: **\$109**

- **Not backwards compatible with any previous 017TDC/018 models.**

018-4 – WIRELESS TRANSMITTER

TWO BUTTON TRANSMITTER

- Four color options
- 8 transmitters per receiver.
- LED indicates operation
- Rolling Code technology provides self learning and 4+ billion codes.
- A-23 Battery Included
- FCC-IC approved



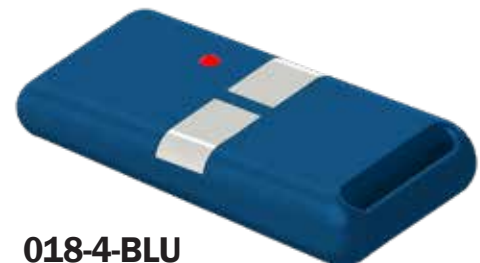
018-4-WHT



018-4-RED



018-4-BLK



018-4-BLU

**PLEASE SPECIFY
COLOR WHEN
ORDERING**

Price:

018-4-BLK
018-4-BLU
018-4-RED
018-4-WHT

\$42

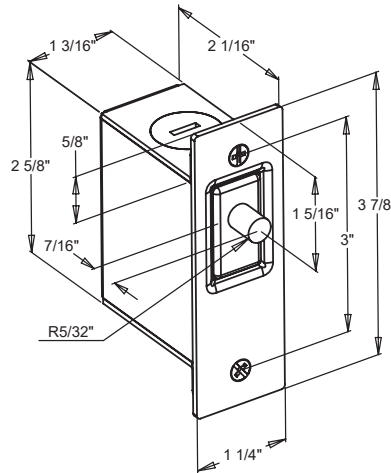
Accessories

Door Chimes, Bells, Buzzers, & Switches



342 -- ELECTRIC DOOR SWITCH (NARROW STYLE)

- Face plate brass finish 3-7/8"H x 1-1/4"W
- Box 2-5/8"H x 1-3/16"W x 2-1/8"D
- Switch Rating: 120VAC, 10 Amps 250VAC, 5 Amps
- Field selectable N/C or N/O
- Stamped steel case – UL, CSA listed switch & wire leads
- Faceplate Powder Coated Brass
- 4 - knockouts 7/8"



Price:
342 \$29



270 -- BUZZER

- Enclosed buzzer – 92db sound at 3 feet
- Operating range 3-6VDC, 8-16 VAC, 1 Amp draw
- Aluminum powder coat finish
- Includes mounting hardware

Price:
270 \$21



272 -- BELL

- 100 db sound at 3 feet – 2-1/2" open bell
- Operating range 3-6VDC, 8-16 VAC, 1 Amp draw
- Aluminum powder coat finish
- Includes mounting hardware

Price:
272 \$23



274 -- BELL

- 100 db sound at 3 feet – 4" open bell
- Operating range 3-6VDC, 8-16 VAC, 1 Amp draw
- Aluminum powder coat finish
- Includes mounting hardware

Price:
274 \$25



275 -- ENCLOSED BELL

- 88 db at 3 feet
- Operating range: 3-8VDC, 1.4 Amp draw
- 6-8VAC, 0.7 Amp draw
- Grey finish – Includes mounting hardware

Price:
275 \$29



276 -- ENCLOSED BELL & BUZZER

- 88 db at 3 feet
- Operating range: 3-8VDC, 1.4 Amp draw
- 6-8VAC, 0.7 Amp draw
- Grey finish – Includes mounting hardware

Price:
276 \$36

Accessories - Pushbuttons



PUSH BUTTONS MUST BE PURCHASED IN PACKS OF 10 UNLESS NOTED

| | | | |
|-------------------------------------------------------------------------------------|-------------------------------------------------------------------------------------|----------------------------------------------------------------------------------------------------------------------------------|------------------------------------------------------------------------------------------------------------------|
| JRP, SRP |  | JRP – Polished Solid Brass w/ black center 1-3/4" Body Diameter – for use up to 30 volts AC or DC | Price: JRP \$11.50 |
| | | SRP – Polished Solid Brass w/ black center 2-1/4" Body Diameter – for use up to 30 volts AC or DC | Price: SRP \$12.50 |
| 45A, 45LA |  | 45A – Silver Rim with Pearl Center 5/8" Body Diameter – for use up to 30 volts AC or DC | Price: 45A \$8.50 |
| |  | 45G – Gold Rim with Pearl Center 5/8" Body Diameter – for use up to 30 volts AC or DC | Price: 45G \$8.50 |
|  |  | 45LA – Silver Rim with Lighted Pearl Center 5/8" Body Diameter – for use up to 16 volts AC or DC | Price: 45LA \$10.50 |
| | | 45LG – Gold Rim with Lighted Pearl Center 5/8" Body Diameter – for use up to 16 volts AC or DC | Price: 45LG \$10.50 |
|  | 65P | 65P - Weatherproof Polished Solid Brass 2-1/2" Body Diameter for use up to 30 volts AC or DC | Price: 65P \$68.00 <i>*Sold in single packs*</i> |
| |  | 66B | 66B – Black with White Bar Molded Plastic 2-3/4" L X 3/4" W X 5/8" H – for use up to 30 volts AC or DC |
| 66C | | 66C – Silver w/ White Bar Molded Plastic 2-3/4" L X 3/4" W X 5/8" H – for use up to 30volts AC or DC | Price: 66C \$8.50 |
| 66 Series 66B Shown |  | 66G – Gold w/ White Bar Plated Molded Plastic 2-3/4" L X 3/4" W X 5/8" H – for use up to 30 volts AC or DC | Price: 66G \$8.50 |
| | | 66W – White with White Bar Molded Plastic 2-3/4" L X 3/4" W X 5/8" H – for use up to 30 volts AC or DC | Price: 66W \$8.50 |
|  |  | 66LB – Lighted Black w/ White Bar Molded Plastic 2-3/4" L X 3/4" W X 5/8" H – for use up to 16 volts AC or DC | Price: 66LB \$11.50 |
| | | 66LC – Lighted Silver w/ White Bar Plated Molded Plastic 2-3/4" L X 3/4" W X 5/8" H – for use up to 16 volts AC or DC | Price: 66LC \$11.50 |
| 71 Series 71A & 71G Shown |  | 71A – Anodized Aluminum Housing w/ Black Bar 2-3/4" L X 1" W X 3/4" H – for use up to 30 volts AC or DC | Price: 71A \$12.50 |
| | | 71G – Anodized Brass Aluminum Housing w/ Black Bar 2-3/4" L X 1" W X 3/4" H – for use up to 30 volts AC or DC | Price: 71G \$12.50 |
|  | 71LA | 71LA – Lighted Anodized Aluminum Housing w/ White Bar 2-3/4" L X 1" W X 3/4" H – for use up to 16 volts AC or DC | Price: 71LA \$14.00 |
| | 71LG | 71LG – Lighted Anodized Brass Aluminum Housing w/ White Bar 2-3/4" L X 1" W X 3/4" H – for use up to 16 volts AC or DC | Price: 71LG \$14.00 |
| 91P | | 91P – Multi-Family, Polished Solid Brass Housing 4-3/4" L X 5/8" W X 3/4" H – for use up to 30 volts AC or DC | Price: 91P \$26.00 |
| | | 94P – 3-Button Multi-Family, Polished Solid Brass Housing 7" L X 5/8" W X 3/4" H – for use up to 30 volts AC or DC | Price: 94P \$28.00 |

**91P/94P
Must be
ordered
in 5 pack
quantity**

Glossary

ALTERNATING CURRENT (AC)

An electric current that reverses direction in a circuit at regular intervals.

CONTINUOUS DUTY

A device that is designed to operate continuously without rest.

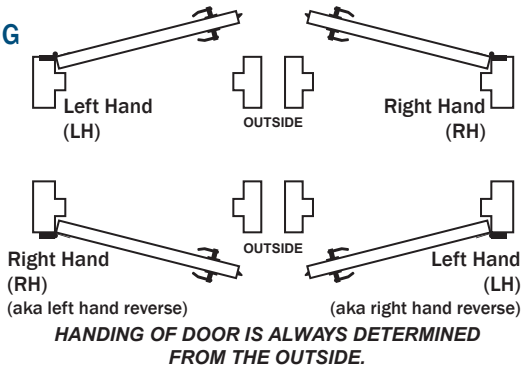
CURRENT

Measured flow of electrons through an electrical conductor. Normally measured in amperes.

DIRECT CURRENT

An electric current flowing in one direction.

DOOR HANDING



FAIL SAFE

A device that is normally open and locks when power is applied to the unit. Example: During a loss of power the device remains open. Often listed as "RS"

FAIL SECURE

A device that is normally closed or locked until power is applied. Example: During a loss of power the device remains locked.

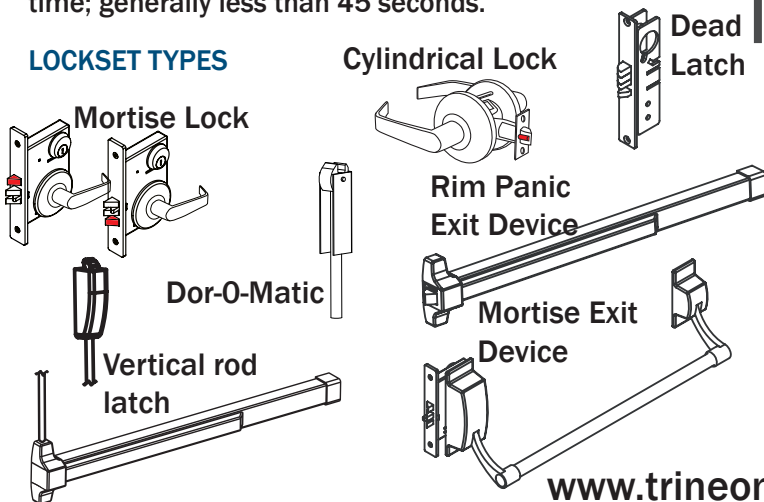
FUSE

A device that is placed in the path of energy that will break the circuit if the current becomes too great. This is accomplished by having a strip of metal that will melt when the current exceeds the required amount.

INTERMITTENT DUTY

A device that is designed to operate for a short period of time; generally less than 45 seconds.

LOCKSET TYPES



NORMALLY OPEN

The contacts of a switch or relay are normally open or not connected. When activated the contacts close or become connected. EXAMPLE: A switch is not depressed and the circuit is not complete.

NORMALLY CLOSED

The contacts of a switch or relay are normally closed or connected. When activated the contacts open or become disconnected. EXAMPLE: A switch is not depressed and the circuit is complete.

OHMS

The measure of resistance of an electrical device to resist the flow of energy.

RECTIFIER

A device that is commonly used to convert AC to DC. Commonly used to silence the audible sound that an electrical strike can make while energized on AC current.

RELAY

An electro-magnetic device activated by a variation in conditions in one electric circuit and controlling a larger current or actuating other devices in the same or another electric circuit.

STANDARD VOLTAGE

Electric door strike supplied with magnetic coils: 4-6VDC/8-16VAC. Electric door strikes supplied with a solenoid coil: 6-10VDC, 10-16VAC: other voltages available.

TRANSFORMER

A device consisting essentially of two or more coils of insulated wire that transfers alternating current by electro-magnetic induction from one winding to another at the same frequency, but usually with changed voltage & current.

VOLT

A unit of electric potential equal to the difference of electric potential between two points that have a resistance of one ohm and through which a current of one amperes is flowing.

VOLTAGE DROP?

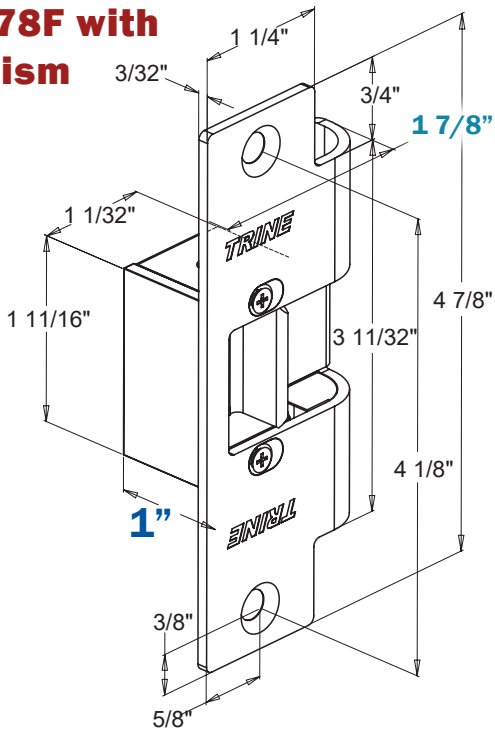
We recommend the following wire sizes:

| Wire Length | 12V | 24V |
|--------------|--------|--------|
| Up to 50 ft. | 18 AWG | 20 AWG |
| 51-150 ft. | 16 AWG | 18 AWG |
| 151-300 ft. | 14 AWG | 16 AWG |
| 301-600 ft. | 12 AWG | 14 AWG |

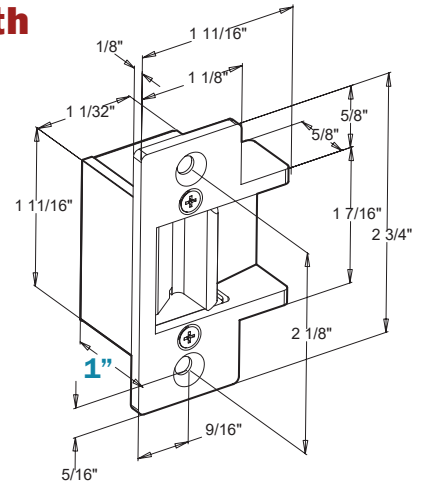
WATT

The power developed in a circuit by a current of one ampere flowing through a potential difference of one volt.

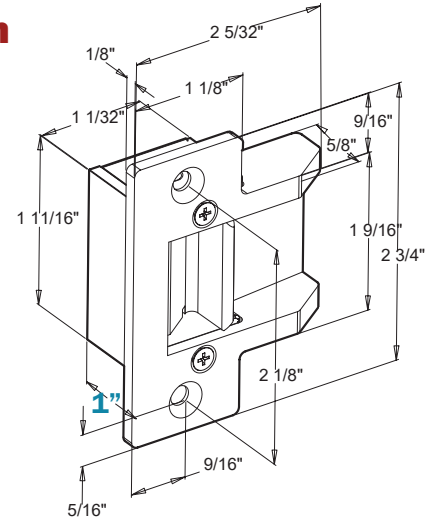
478 & 478F with mechanism



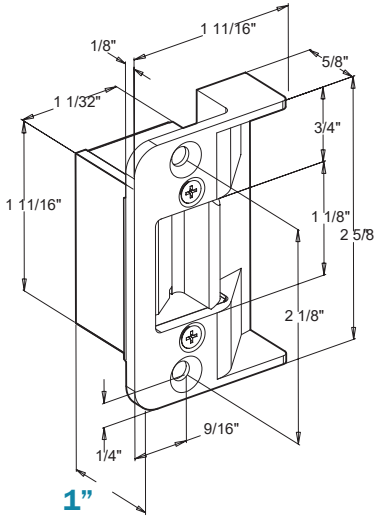
234 & 234F with mechanism



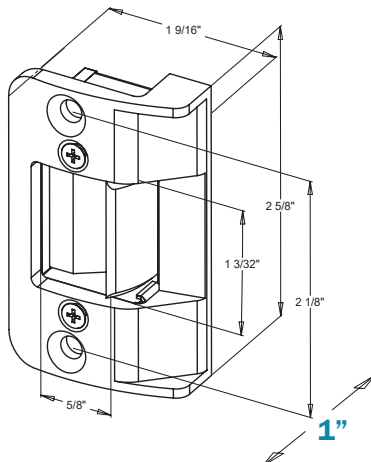
234X-375 with mechanism



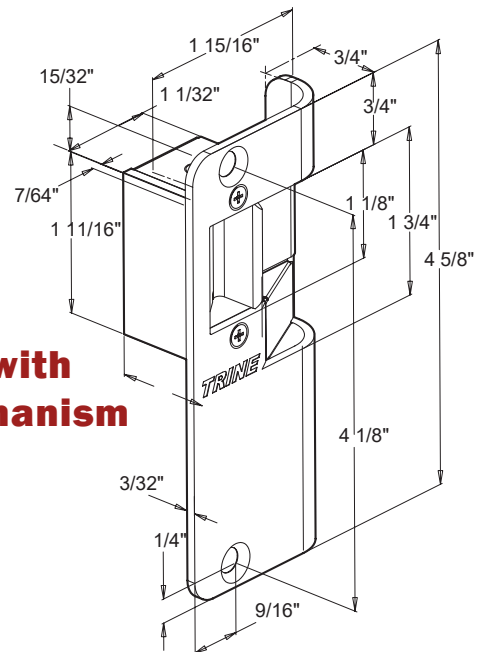
258 with mechanism



258RD with mechanism



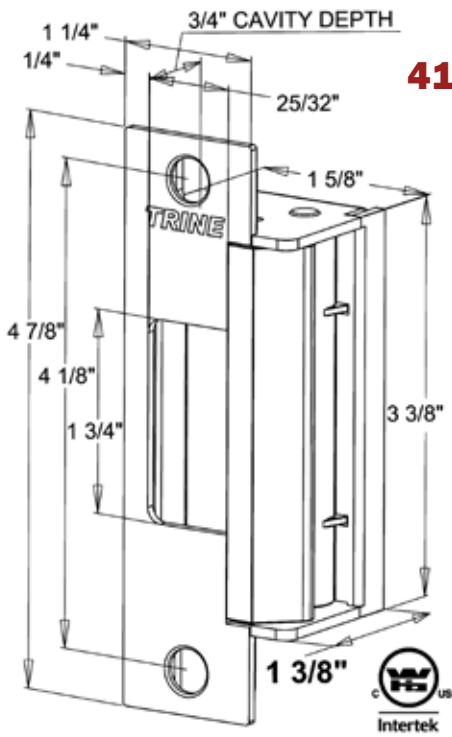
458 with mechanism



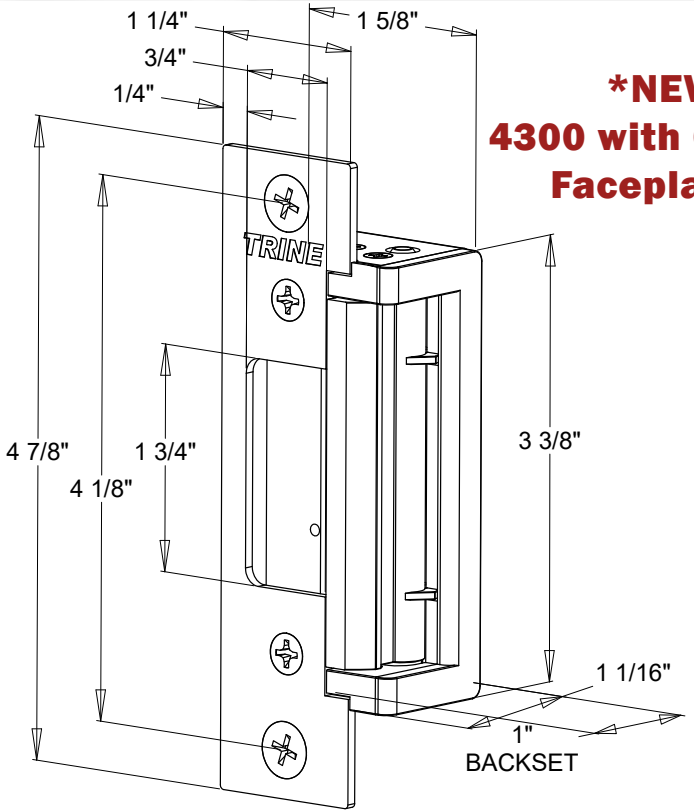


BUILT IN AMERICA
BASED IN AMERICA
BUY AMERICAN

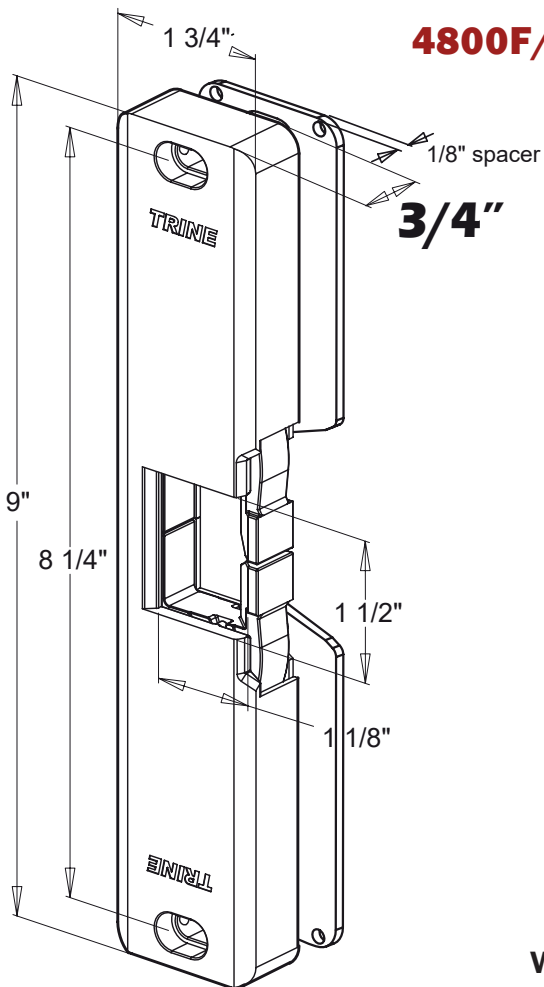
4100, 4300, 4800 SERIES DIMENSIONS



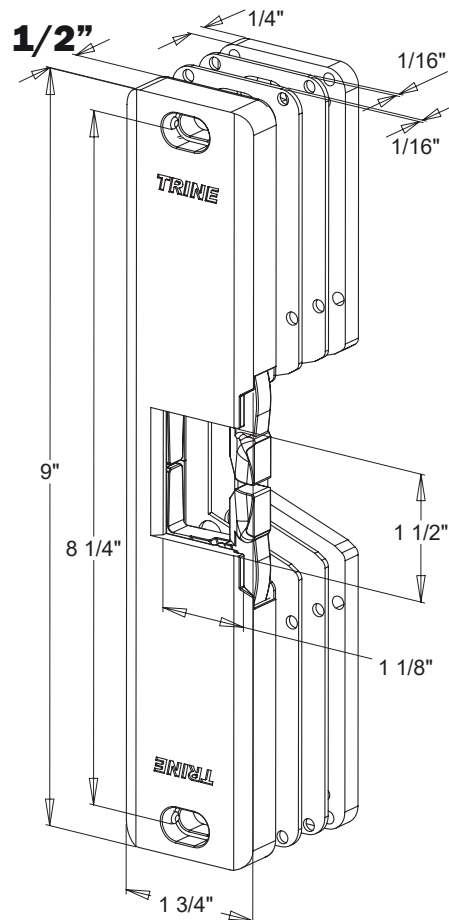
**4100 with CC
 Faceplate**



***NEW*
 4300 with CC
 Faceplate**



4800F/4801



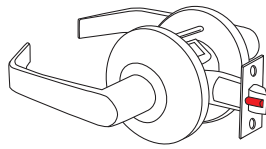
**4850 &
 Spacer
 Plates**

Strike Selector

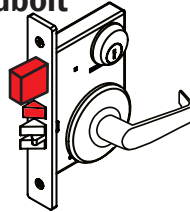


What lockset do you have?

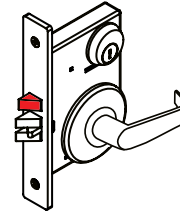
Cylindrical Lock



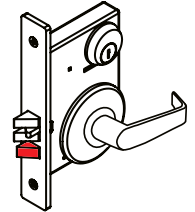
Mortise with a deadbolt



Mortise Lock



Mortise Lock



Your choice of electric strikes are:

A C F I J K L M N O

B

A F*

A C*

4100

A

Intertek
3 Hour Fire, 1034, & 294 rated

SPECIALIZED SOLUTIONS
ELECTRIC STRIKE SERIES

Fire Rated

4100DBDL

B

Independently operated latches

294 & Burg. Rated

4300

C

1/4" Horizontal Adjustment

Surface Mount Strikes

Enhanced 4850

D

4800F

E

UL

THE OUTDOOR SOLUTION FOR ELECTRIC STRIKES

3 Hour Fire, 1034, & 294 rated

400CMRP

F

Compatible Door Frames

- Aluminum
- Hollow Metal
- Wood

Use the **4100RX** for Raco® frames (covers the extra 1/4" gap in the frame)

- Aluminum
- Hollow Metal
- Wood

Only strike for allowing deadbolt privacy with an override.

- Aluminum
- Hollow Metal
- Wood

1/4" horizontal adjustment
Ramp extension
LB options

- Aluminum
- Hollow Metal
- Wood

For use with the Yale Squarebolt® or Corbin Russwin Securebolt™

NOTE
Use the **4801**

- Hollow Metal
- Wood

Great for Gates
The CMRP works with Cylindrical, Mortise, and Rim Panic devices

B (CONTINUED)

4100DB & 4100CDBM
(4 FACEPLATES) (8 FACEPLATES!)

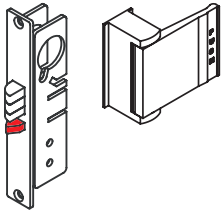
NIGHT LATCH ONLY FUNCTIONALITY - FOR MORTISE LOCKS WITH DEADBOLTS

C (CONTINUED)

4300CC
Two 4-7/8" faceplates (square and rounded corners), best pricing option in the 4300 series.

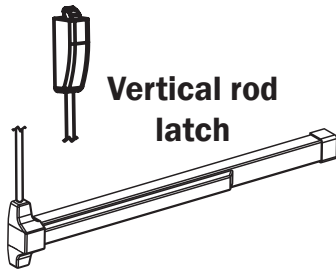
4300CC-DKBZ-32D
4-7/8" faceplates only, two color options included, best color option of the 4300 series.

Dead Latch



A ^ **C N O**

Vertical rod latch



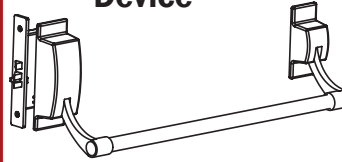
G

Dor-o-matic™



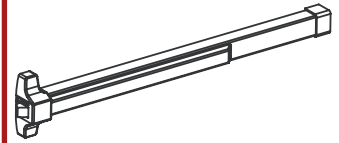
H

Mortise Exit Device



A **F***

Rim Panic Exit Device



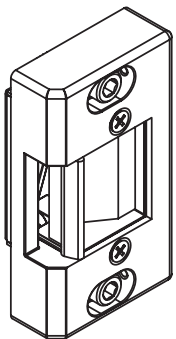
D E F

Smallest Electric Strike in the World

not recommended for use on uncovered exterior doors.

SPECIALIZED SOLUTIONS
ELECTRIC STRIKE SERIES

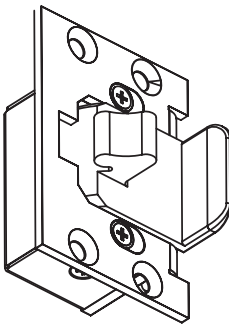
THE VERTICAL ROD LATCH SOLUTION



3275VRP-LC

G

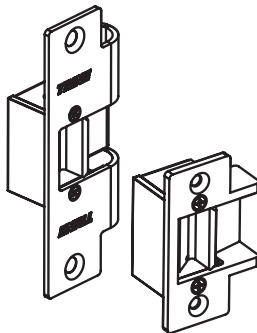
The Dor-O-Matic™ Solution!!!



3250SOM-LC STRIKE-O-MATIC™

H

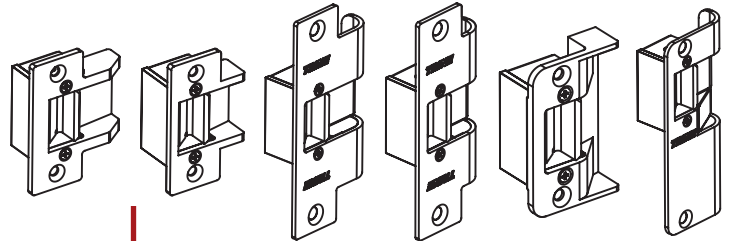
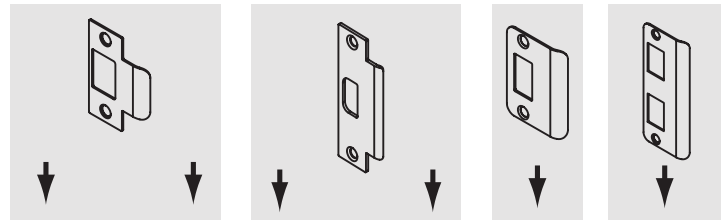
THE SMALLEST ELECTRIC STRIKE IN THE WORLD IS NOW FIRE RATED



323478F-LC 323478FX-LC

I

Compatible Strike Plates



234X-375

J

234

K

478X-375

L

478

M

258, 258RD

N

458

O

Compatible Door Frames

- Aluminum
- Hollow Metal
- Wood

2-3/4" WIDE PLATE. FITS IN TIGHT SPOTS IN THE HEADER

- Aluminum
- Hollow Metal
- Wood

- Aluminum
- Formed Sheet Metal
- Wood

- Formed Sheet Metal
- Wood

- Hollow Metal
- Wood

- Aluminum
- Formed Sheet Metal
- Wood

- Hollow Metal
- Wood

- Aluminum

- Aluminum

Formed Sheet Metal

Frame Images

Hollow Metal Frame

Aluminum

Wood
Use 2" long mounting screws.

**EXAMPLE: PRE-FINISHED FRAMES LIKE TIMELY®, REDI®, RACO®, FRAMEWORKS TYPE-II® WITH SNAP-ON TRIMS.

CONDITIONS OF SALE

Distributors and Other Commercial Customers

Note: The following Conditions of Sale are subject to change: All Sales Transactions are subject to the latest published Conditions of Sale of the Trine Access Technology Corporation and to any Special Conditions of Sale which may be contained in applicable Trine quotations and acknowledgements. Modified product warranties are provided to consumers.

1. **ACCEPTANCE, GOVERNING PROVISIONS AND CANCELLATIONS.** No order for Trine Access Technology or services shall be binding upon Trine until accepted by a writing of an authorized official of Trine or by shipment or other performance of such order. Any such order shall be subject to these Conditions of Sale, and acceptance shall be expressly conditioned on assent to such Conditions, which assent shall be deemed given unless purchaser shall expressly notify Trine to the contrary prior to the earlier of any shipment or other performance of an order by Trine or within five (5) days after purchaser's receipt of any acknowledgement or confirmation of such order. Trine expressly reserves the right to reject and withdraw acceptance of any order.

No order accepted by Trine may be altered or modified by purchaser unless agreed to in a writing signed by an authorized official of Trine; and no such order may be cancelled or terminated except upon payment of Trine's loss, damage and expense arising from such cancellation or termination. These Conditions of Sale may not be supplemented or modified by course of dealing, course of performance or any oral communication between the parties. No modified or other conditions will be recognized by Trine unless specifically agreed to in writing and failure of Trine to object to provisions contained in any purchase order or other communication from a purchaser (including, without limitation, penalty clauses of any kind) shall not be construed as a waiver of these Conditions nor an acceptance of any such provisions.

Unless otherwise agreed in writing by a duly authorized representative of Trine, products sold hereunder are not intended for use or in connection with a nuclear facility or activity. If so used, Trine disclaims all liability for any nuclear damage, injury or contamination, and purchaser shall indemnify Trine against any such liability, whether as a result of breach of contract, warranty, tort (including negligence) or otherwise. Any contract for sale and these Conditions shall be governed by and construed according to the laws of the State of Connecticut. Any dispute arising out of or relating to these Conditions of Sale or any matter relating hereto shall be brought in the federal or state courts sitting in or for the Bethel, Connecticut, and the parties waive any objection they may have to the jurisdiction or subject matter of these courts.

2. **QUOTATIONS AND PRICES.** Written quotations are conditioned upon acceptance by purchaser within thirty (30) days from the date issued and shall be considered as offers by Trine to sell during such thirty (30) day period on these Conditions of Sale unless sooner terminated by notice. Other Trine publications are maintained as sources of general information and are not quotations or offers to sell.

All clerical errors are subject to correction.

MINIMUM ORDER: \$100.00 Net. DROP SHIP FEE: Trine reserves the right to charge a fixed fee of \$10.00 for shipping to an address other than customers.

All prices are subject to change without notice. In the event of a net price change, the price of equipment on order but unshipped will be adjusted to the price in effect at the time of shipment. Downward adjustment of prices shall apply only to unshipped portions of outstanding orders.

3. **PAYMENT TERMS.** Unless otherwise agreed by Trine, terms of payment for Trine products to purchasers of satisfactory credit are either (1) a 1% cash discount for all invoices paid in full if the payment is received by Trine within 10 days after the date of Trine's invoice or (2) full payment to be received by Trine within 30 days after the date of Trine's invoice. Applicable terms of payment are stated in quotations or on the discount sheet for the product involved. Cash discount will apply only to the net amount of the invoice after transportation charges and taxes. A late charge of 1% per month or the maximum amount permitted by law will be applied to all past due amounts.

Trine reserves the right at any time to demand full or partial payment before proceeding with a contract of sale if, in its judgment, the financial condition of purchaser shall not justify the terms of payment specified. If delivery is delayed or deferred by purchaser beyond the scheduled date, payment shall be due in full when Trine is prepared to ship and the products may be stored at the risk and expense of purchaser. If purchaser defaults when any payment is due, then the whole contract price shall become due and payable upon demand, or Trine, at its option, without prejudice to other lawful remedies, may defer delivery or cancel the contract for sale.

4. **TAXES AND OTHER CHARGES.** Any manufacturer's tax, retailer's occupation tax, use tax, sales tax, excise tax (except the Federal excise tax on vehicles), duty, custom, inspection or testing fee, or other tax, fee or charge of any nature whatsoever, imposed by any governmental authority, on or measured by any transaction between Trine and purchaser, shall be paid by purchaser in addition to the prices quoted or invoiced. In the event Trine shall be required to pay any such tax, fee or charges, purchaser shall reimburse Trine therefore; or, in lieu of such payment, purchaser shall provide Trine at the time the order is submitted with an exemption certificate or other document acceptable to the authority imposing the same. Purchase orders must state the existence and amount of any such tax, fee or charge which it shall be Trine's responsibility to collect from purchaser and pay.

5. **DELIVERY.** Delivery of products to a carrier at any Trine facility or other shipping point shall constitute delivery to purchaser; and, regardless of freight payment, title and all risk of loss or damage in transit shall pass to purchaser at that time. Trine cannot be held responsible for breakage after having received "in good order" receipts from the transportation company. All claims for loss and damage must be made by purchaser to the carrier. Claims for shortages or other errors must be made in writing to Trine within 15 days after receipt of shipment, and failure to give such notice shall constitute unqualified acceptance and a waiver of such claims by purchaser. Unless otherwise agreed by Trine in quotations, discount schedules, catalogs or other Trine publications, all expenses of freight FOB Trine's place of shipment shall be borne by purchaser. No allowance will be made in lieu of transportation if purchaser accepts shipment at factory, warehouse, freight station, or otherwise supplies its own transportation. Method and route of shipment will be at the discretion of Trine unless purchaser shall specify otherwise, and any additional expense of the method or route of shipment specified by purchaser shall be borne by purchaser. Trine reserves the right to make delivery in installments, unless otherwise expressly stipulated in the contract for sale; and all such installments when separately invoiced shall be paid for when due per invoice, without regard to subsequent deliveries. Delay in delivery of any installment shall not relieve purchaser of its obligations to accept remaining deliveries.

6. **SUBSTITUTES.** Trine may furnish suitable substitutes for materials unobtainable because of priorities or regulations established by governmental authority or non-availability of materials from suppliers, and assumes no liability for deviation from published dimensions and descriptive information not essential to proper performance of the products.

7. **WARRANTIES TO DISTRIBUTORS AND OTHER COMMERCIAL CUSTOMERS.** Trine warrants products manufactured by it to be free from defects in materials and workmanship for a period of one (1) year from date of shipment by Trine, except for all Axion (R) labeled products which are covered for two (2) years from date of shipment by Trine. If within such period any such products shall be proved to Trine's satisfaction to be so defective, such products shall be repaired or replaced at Trine's option. This warranty shall not apply (a) to products not manufactured by Trine, (b) to products which shall have been repaired or altered by other than Trine so as, in its judgment, to affect the same adversely, or (c) to equipment which shall have been subjected to negligence, accident or damage by circumstances beyond Trine's control, or to improper operation, maintenance or storage, or to other than normal use or service. With respect to products not manufactured by Trine, the warranty obligations of Trine shall in all respect conform and be limited to the warranty actually extended to Trine by its supplier. The foregoing warranties do not cover reimbursement for transportation, removal, installation, or other expenses which may be incurred in connection with repair or replacement. Except as may be expressly provided in an authorized writing by Trine, Trine shall not be subject to any other obligations or liabilities whatsoever with respect to products manufactured by Trine or services rendered by Trine.

THE FOREGOING WARRANTIES ARE EXCLUSIVE AND IN LIEU OF ALL OTHER EXPRESS AND IMPLIED WARRANTIES, INCLUDING WITHOUT LIMITATION TITLE, MERCHANTABILITY AND FITNESS FOR A PARTICULAR PURPOSE.

8. **LIMITATION OF LIABILITY.** Anything to the contrary herein contained notwithstanding, TRINE ACCESS TECHNOLOGY, ITS CONTRACTORS AND SUPPLIERS OF ANY TIER SHALL NOT BE LIABLE IN CONTRACT, IN TORT (INCLUDING NEGLIGENCE OR STRICT LIABILITY) OR OTHERWISE FOR ANY SPECIAL, INDIRECT, INCIDENTAL CONSEQUENTIAL, PUNITIVE, OR EXEMPLARY DAMAGES WHATSOEVER. The remedies of the purchaser set forth herein are exclusive where so stated and the total cumulative liability of Trine, its contractors and suppliers of any tier, with respect to this contract or anything done in connection therewith, such as the use of any product covered by or furnished under the contract, whether in contract, in tort (including negligence or strict liability) or otherwise, shall not exceed the price of the product or part on which such liability is based. Further, any claim purchaser may have with reference to Trine products or services sold or provided hereunder shall be deemed waived by purchaser unless asserted against Trine in writing within 90 days from the date the purchaser discovered, or should have discovered, the basis for the claim.

9. **RETURN OF EQUIPMENT.** No products may be returned without first obtaining Trine's written permission and a returned goods authorization number. Trine shall issue a credit to purchaser for returned goods, subject to the terms of this paragraph, and purchaser will not be entitled to any other form of reimbursement for returns. Products accepted for credit, not involving a Trine error, **shall be subjected to a minimum service charge of \$25.00, or a charge of 20% of invoice**, whichever is greater, plus all transportation charges incurred by Trine. THE MINIMUM RESTOCKING CHARGE IS \$25.00. Returned products must be securely packed to reach Trine without damage, any cost incurred by Trine to put the products in first class condition will be charged to purchaser.

10. **PATENTS.** As to products sold to purchaser by Trine, Trine shall defend any suit or proceeding brought against purchaser so far as based on a claim that said products constitute an infringement of any patent of the United States, if notified promptly in writing and given authority, information and assistance at Trine's expense for the defense of the same. In the event of a final award of costs and damages, Trine shall pay such award. In the event the use of said products by purchaser is enjoined in such a suit, Trine shall, at its own expense, either (a) procure for purchaser the right to continue using said products, (b) modify said equipment to render them non-infringing, (c) replace said products with non-infringing products, or (d) refund the purchase price (less depreciation) and the transportation and installation costs of said products. Trine will not be responsible for any compromise or settlement made without its written consent. The foregoing states the entire liability of Trine for patent infringement, and in no event shall Trine be liable if the infringement charge is based on the use of Trine products for a purpose other than that for which sold by Trine, any alteration to the Trine products or the use of the Trine products with any other product or service not manufactured by Trine. As to any products furnished by Trine to purchaser and manufactured in accordance with designs provided by purchaser, purchaser shall defend, indemnify and hold harmless Trine against any award made against Trine for patent, trademark, or copyright infringement.

11. **PATTERNS AND TOOLS.** Notice will be given if special patterns or tools are required to complete any order. Charges for such patterns or tools do not convey title thereto or the right to remove them from Trine's plant. If patterns or tools are not used for a period of two years, Trine shall have the right to scrap them without notice.

12. **FORCE MAJEURE.** Trine shall not be liable in damages or otherwise for delays in shipment or default in delivery for any reason of force majeure or for any cause beyond Trine's reasonable control including, but not limited to (a) an act of nature; (b) government action, war, riots, civil commotion, embargoes or martial laws, (c) Trine's inability to obtain necessary materials from its usual sources of supply, (d) shortage of labor, raw material, production or transportation facilities or other delays in transit, (e) other contingencies of manufacture or shipment. In the event of any delay in Trine's performance due in whole or in part to any cause beyond Trine's reasonable control, Trine shall have such additional time for performance as may be reasonably necessary under the circumstances. Acceptance by purchaser of any goods shall constitute a waiver by purchaser of any claim for damages on account of any delay in delivery of such goods.

Cross Reference Chart for Premium Electric Strikes

| TRINE | Adams Rite | Folger Adam | H.E.S. | RCI | Von Duprin |
|-------------------------------------------------------|------------|----------------------------------------|--------------------------------------------|-------------|--------------------|
| 4100 | ---- | ---- | 4500, 1500 | ---- | 6400 Φ |
| | ---- | | 1006CLB Φ | ---- | 6211/6211WF Φ |
| 4100DB | ---- | ---- | 1600/CDB, 1006/CDB * | 2164 | 6400 |
| 4100CDBM | ---- | 712/712-75/732 732-75/642CYL Φ | 1600CS | ---- | ---- |
| 4100DBDL | ---- | ---- | ---- | ---- | ---- |
| 4300 | 7100 | ---- | 5000 | S/L65U | 4200 |
| 4300CC | 7400 | | 5000C | | 5100 |
| | | | 5200 | | |
| 4800F | ---- | ---- | 9500, 9600 | 0162/0162F | 6300 |
| 4801 | ---- | ---- | 9700 | ---- | ---- |
| 4850 | ---- | ---- | 9400 ^{Δ} , 9600 | 0563 | ---- |
| EN400 | 7200 | 712/712-75/732 732-75/642CYL | 1006J/7501 | 2114/F4114* | 6211/6211WF |
| EN800** | 74R1 | 310-4 | 7000-783S** | 0161 | 6112 |
| EN850** | 74R2 | 310-4 | 7000-789S** | ---- | ---- |
| EN950 | ---- | 310-2 | 7505 | ---- | 6215/6226 |
| EN960 | ---- | 310-2 3/4 | ---- | ---- | 6214/6224 |
| 3478F | 7200 | ---- | 5300 | F4114 | ---- |
| 323478LC | ---- | ---- | ---- | ---- | ---- |
| 323478F-LC | ---- | ---- | ---- | ---- | ---- |
| 234 ∂ | ---- | ---- | ---- | ---- | ---- |
| 258\ddagger ∂ | ---- | ---- | ---- | ---- | ---- |
| 458Ω ∂ | ---- | ---- | ---- | ---- | ---- |
| 478\ddagger ∂ | 7400+ | ---- | 5000/5200+501 | L6514+ | ---- |
| 3250SOM-LC | ---- | ---- | ---- | ---- | ---- |
| 3275VRP-LC | ---- | ---- | ---- | ---- | ---- |

- + Strike has 1-1/16" backset vs. 1" backset for 3000 Series.
- Ω Requires 80% less cutting of frame. Fills the frame preparation of the Adams Rite MS Locks without the need To relocate tabs for 6 5/8" or 6 7/8" electric strikes.
- \ddagger Requires 60% less frame face cutting other than models listed.
- Δ 9400 backplate means it can only handle up to a 1/2" throw – The 4850 can take up to a 1" throw.
- * UL 90 Minute Fire Rated
- ** All Stainless Steel construction, not fire rated.
- Φ Not a shallow (1 3/8") backset – cannot be used in 2" fire rated frames with 1/2" sheetrock ingress
- ∂ Number is for the Faceplate – use with a 3012, 3024, 30LC, or 30RS Mechanism, see pg 11 for more details.

NOTE: There may be variations in physical size or electrical characteristics between manufacturers. Information in the above chart based on manufacturers' catalogs and reference should be made to manufacturer's catalog for complete detail comparisons.

BUILT IN AMERICA

BASED IN AMERICA

BUY AMERICA

THE ONLY ELECTRIC STRIKE MANUFACTURER HEADQUARTERED IN THE USA



TRINE ACCESS TECHNOLOGY

2 Parklawn Drive, Suite F
Bethel CT, 06801

PH: 203-730-1756 || FX:203-730-1781
www.trineonline.com

Prices effective June 1st, 2024
Prices Subject to change without notice.