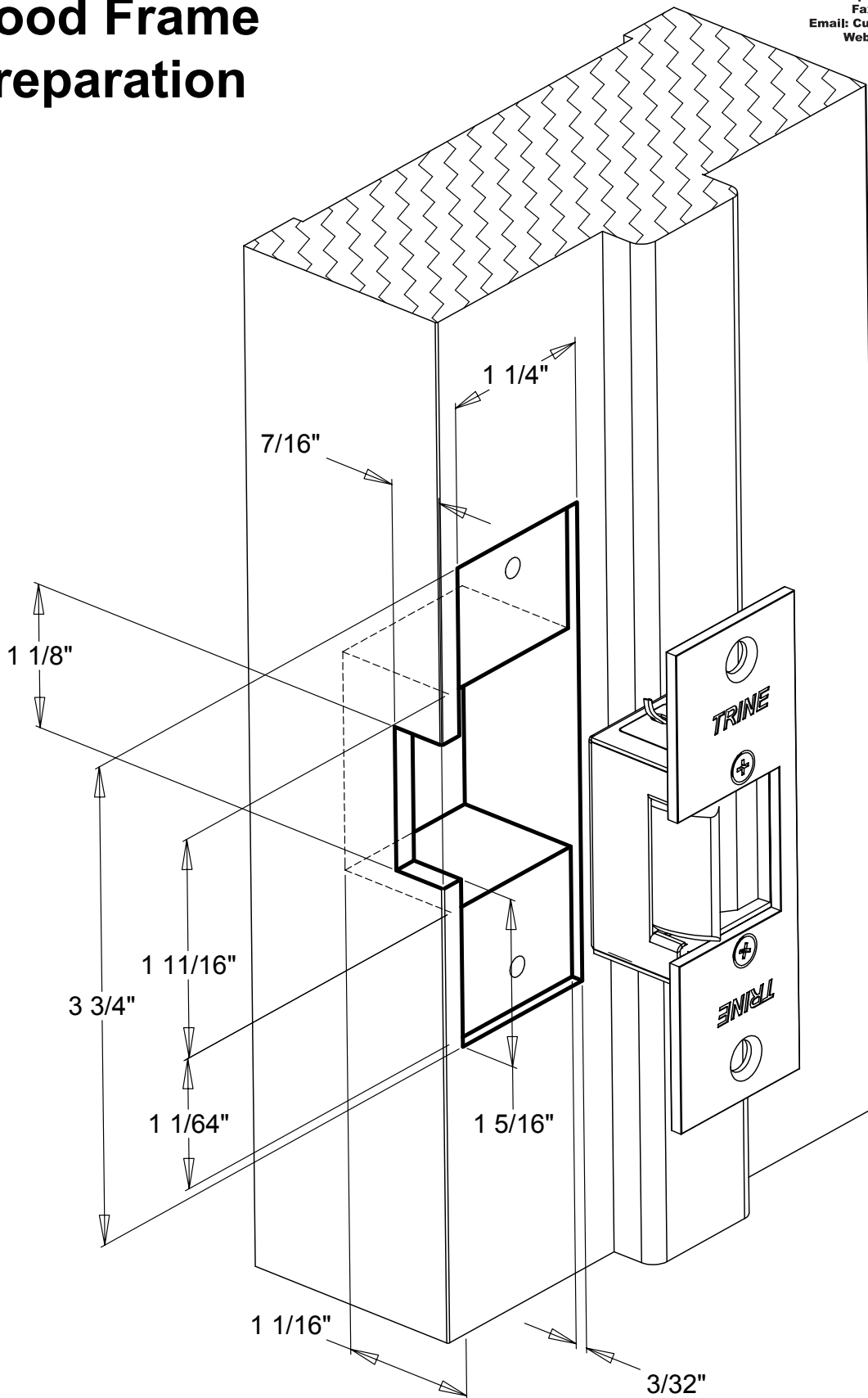


3234W/334

Electric Strike Wood Frame Preparation



1440 Ferris Place • Bronx • New York • 10461-3699
Telephone Number: (718) 829-2332
Fax Number: (718) 829-6405
Email: CustomerService@Trineonline.com
Website: www.Trineonline.com



NOTE: USE 2 INCH LONG (OR LONGER) WOOD SCREWS FOR MOUNTING